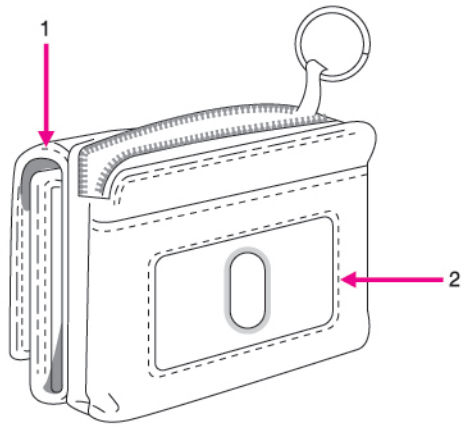
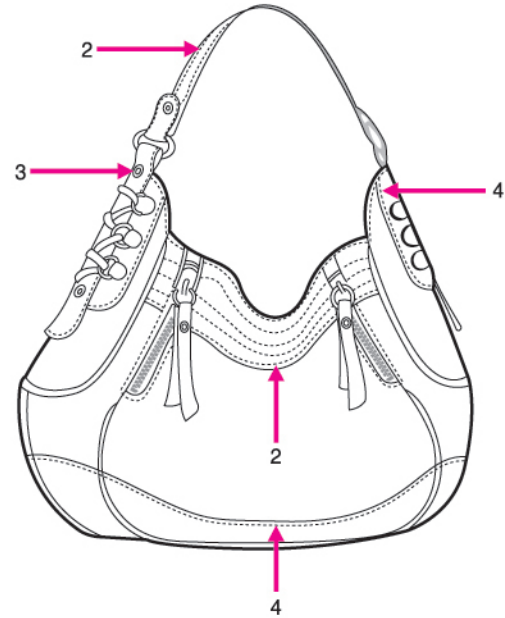


WALLET / BAG

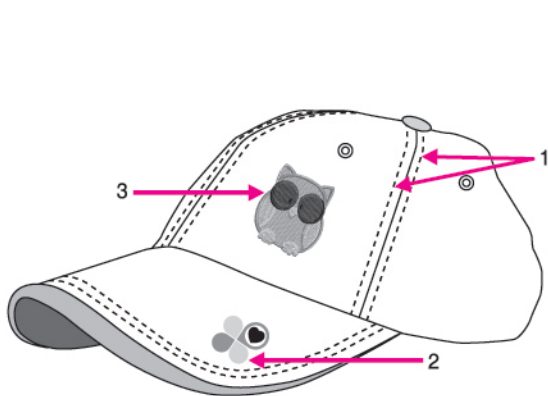


1	KW-1610	page: 42
2	KW-1390, KW-2380A, KW-2390, KW-1620	page: 21, 22, 39

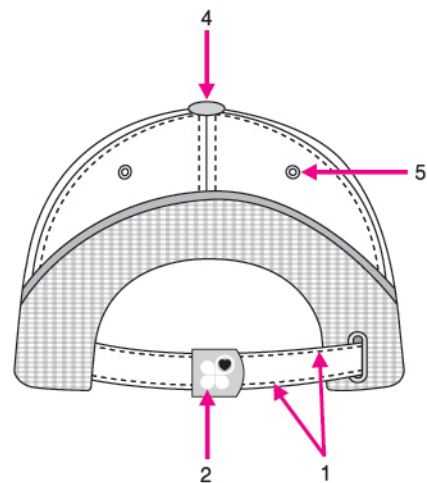


3	KW-48P, KW-48E	page: 54
4	KW-1620, KW-1630	page: 39 & 41

CAP



1	KW-1380A	page: 23
2	KW-915, KW-916, KW-917	page: 46
3	KW-71201EZ	page: 37



4	KW-48P, KW-48E	page: 54
5	KW-2900S	page: 32