

MODEL : DDL-5600NL/DDL-5600NU/DDL-5600NJ/DDL-5600NR

List No : 0884-07

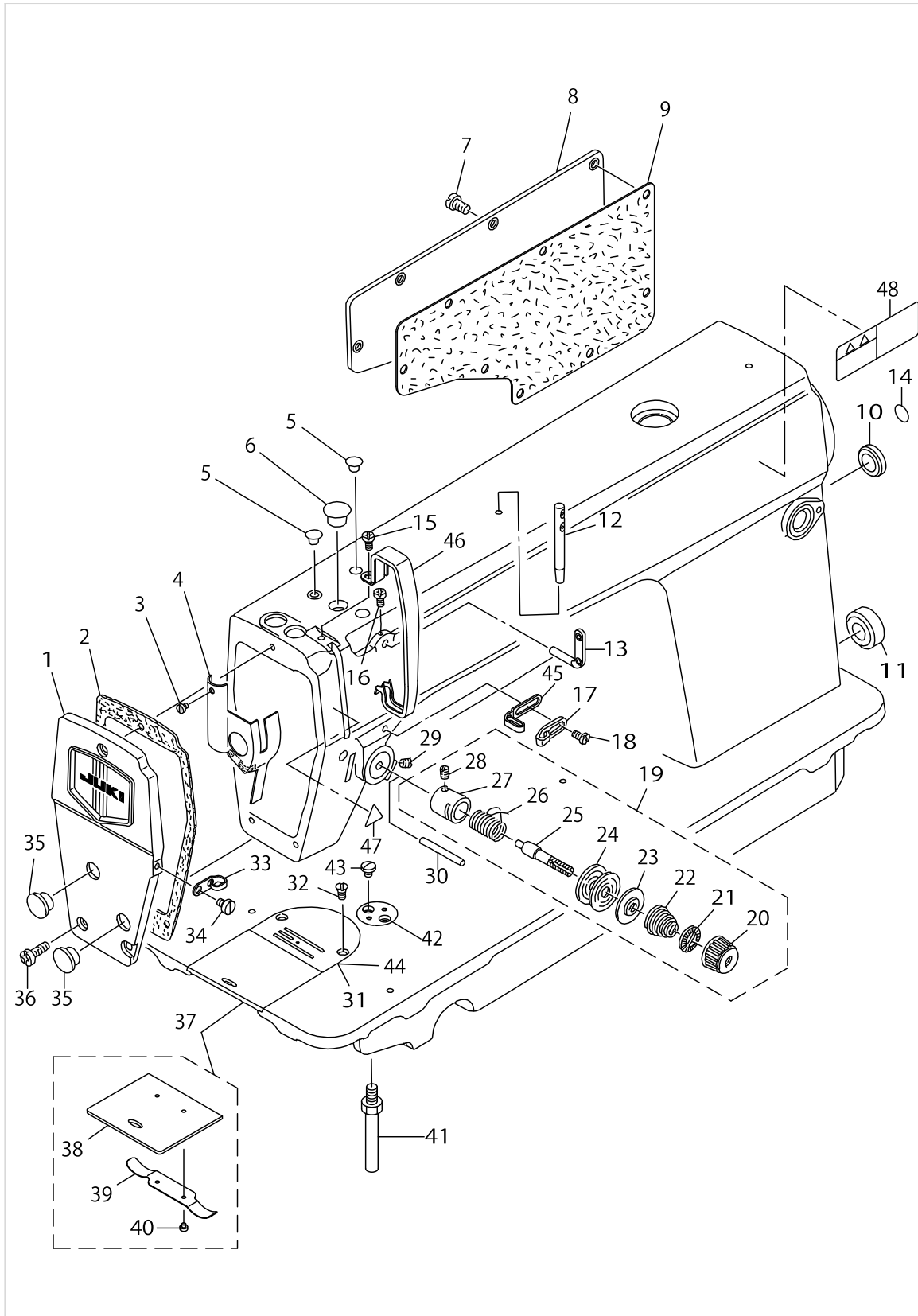
PARTS LIST

Published:02/15/2019

CONTENTS

MACHINE FRAME & MISCELLANEOUS COVER COMPONENTS	1
MAIN SHAFT & THREAD TAKE-UP LEVER COMPONENTS	5
NEEDLE BAR, UPRIGHT SHAFT & HOOK DRIVING SHAFT COMPONENTS	7
HAND LIFTER COMPONENTS	9
FEED MECHANISM COMPONENTS	11
OIL LUBRICATION COMPONENTS	15
OIL RESERVOIR COMPONENTS	17
BELT COVER & BOBBIN WINDER COMPONENTS	19
THREAD STAND COMPONENTS	21
EXCLUSIVE PARTS FOR DDL-5600NR	23
EXCLUSIVE PARTS FOR DDL-5600NJ	25
LIST FOR INFORMATION OF CHANGE (1)	27
LIST FOR INFORMATION OF CHANGE (2)	28
HOW TO MAKE USE OF THIS PARTS LIST	29

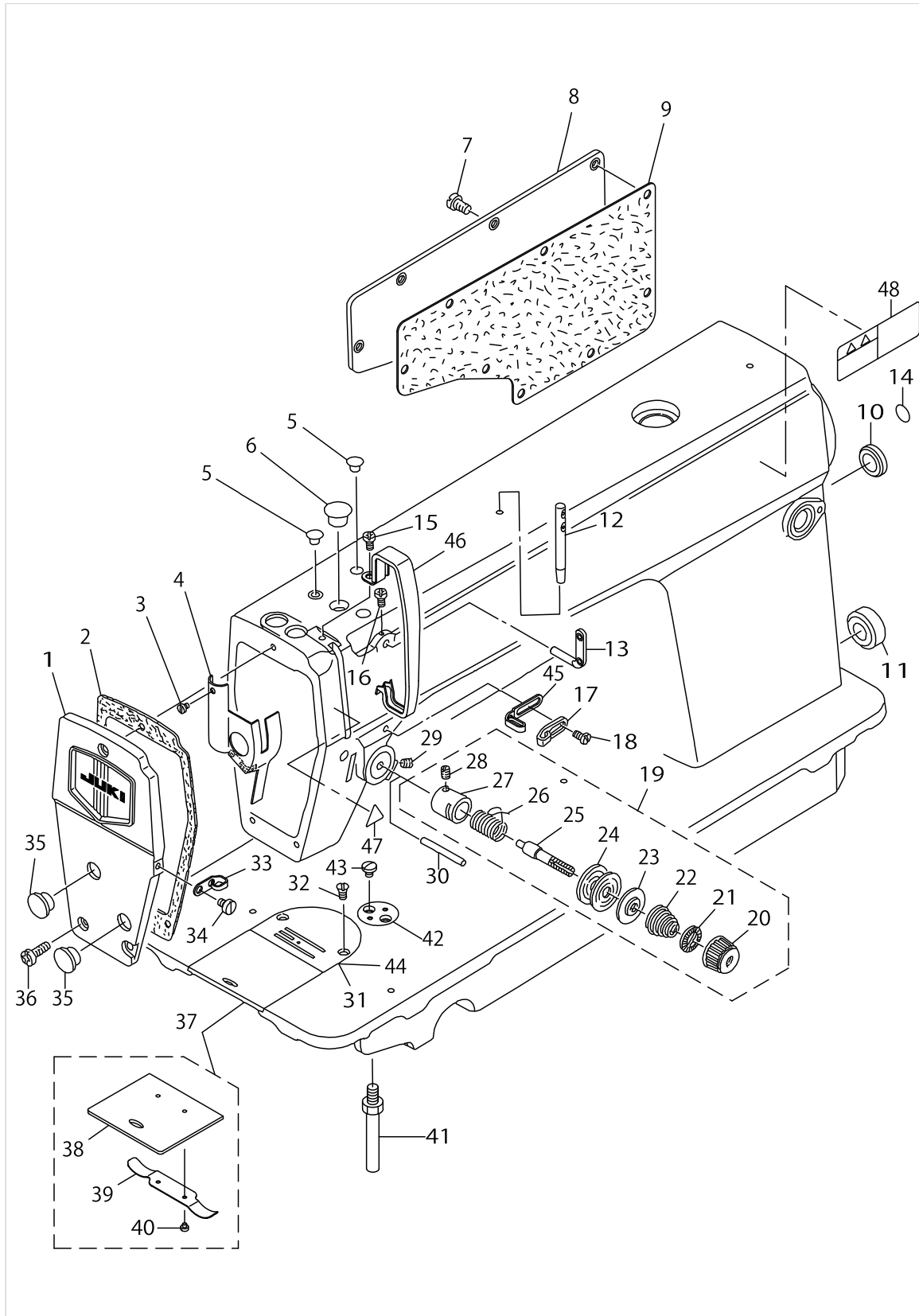
MACHINE FRAME & MISCELLANEOUS COVER COMPONENTS



MACHINE FRAME & MISCELLANEOUS COVER COMPONENTS

No.	Parts No.	Parts name	Remarks	Level	Cons	Qty
1	11070851	FACE PLATE ASM.				1
2	11000304	FACE PLATE GASKET				1
3	SS6080320SP	SCREW 1/8-44 L= 2.5				1
4	40021790	FACE PLATE OIL SHIELD ASM				1
5	TA0850604R0	RUBBER PLUG				2
6	TA1250705R0	RUBBER PLUG				1
7	SS4120915SP	SCREW 3/16-28 L=9				8
8	22900401	WINDOW PLATE				1
9	11003308	GASKET				1
10	TA2000502R0	RUBBER PLUG				1
11	TA2101002R0	RUBBER PLUG				1
12	22958300	NEEDLE THREAD GUIDE PIN				1
13	22920706	TWO EYELET				1
14	10004109	GROUND MARK				1
15	SS4120615SP	SCREW 3/16-28 L=6				1
16	SS4120615SP	SCREW 3/16-28 L=6				1
17	11091006	ARM THREAD GUIDE (HA)	EXCEPT DDL-5600NU			1
18	22921001	SCREW				1
19	22962054	THREAD TENSION ASM.				1
20	22921308	THREAD TENSION NUT		*		1
21	22921407	ROTATION STOPPER		*		1
22	22962005	THREAD TENSION SPRING		*		1
23	22921803	DISK STOPPER		*		1
24	22921506	THREAD TENSION DISK		*		2
25	22921209	THREAD TENSION POST		*		1
26	22921605	THREAD TAKE-UP SPRING		*		1
27	22945307	THREAD TENSION POST BASE		*		1
28	SS8090670SP	SCREW 9/64-40 L= 5.5		*		1
29	SS8150710TP	SCREW 15/64-28 L=7				1
30	22920904	PIN				1
31	D1109555E0L	THROAT PLATE				1
32	SS2110920TP	SCREW 11/64-40 L=8.5				2
33	22920607	ARM THREAD GUIDE B				1
34	SS6110610TP	SCREW 11/64-40 L=6				1
35	TA1250406R0	RUBBER PLUG D=12.5 L=4				2
36	SS4120915SP	SCREW 3/16-28 L=9				3
37	22901250	SLIDE PLATE ASM.				1
38	22901201	SLIDE PLATE		*		1
39	22901300	SLIDE PLATE SPRING		*		1
40	SS6060210SP	SCREW 3/32-56 L= 1.9		*		2
41	22901003	BED SCREW STUD				4
42	22902605	RULER STOP SEAT				1
43	SS7110540SP	SCREW 11/64-40 L=5				2
44	D1109560E0B	THROAT PLATE	FOR DDL-5600NU			1
45	D1126560E00A	ARM THREAD GUIDE A	FOR DDL-5600NU			1
46	11415205	THREAD TAKE-UP LEVER COVER(JE)				1
47	CM300200001	ATTENTION SEAL				1

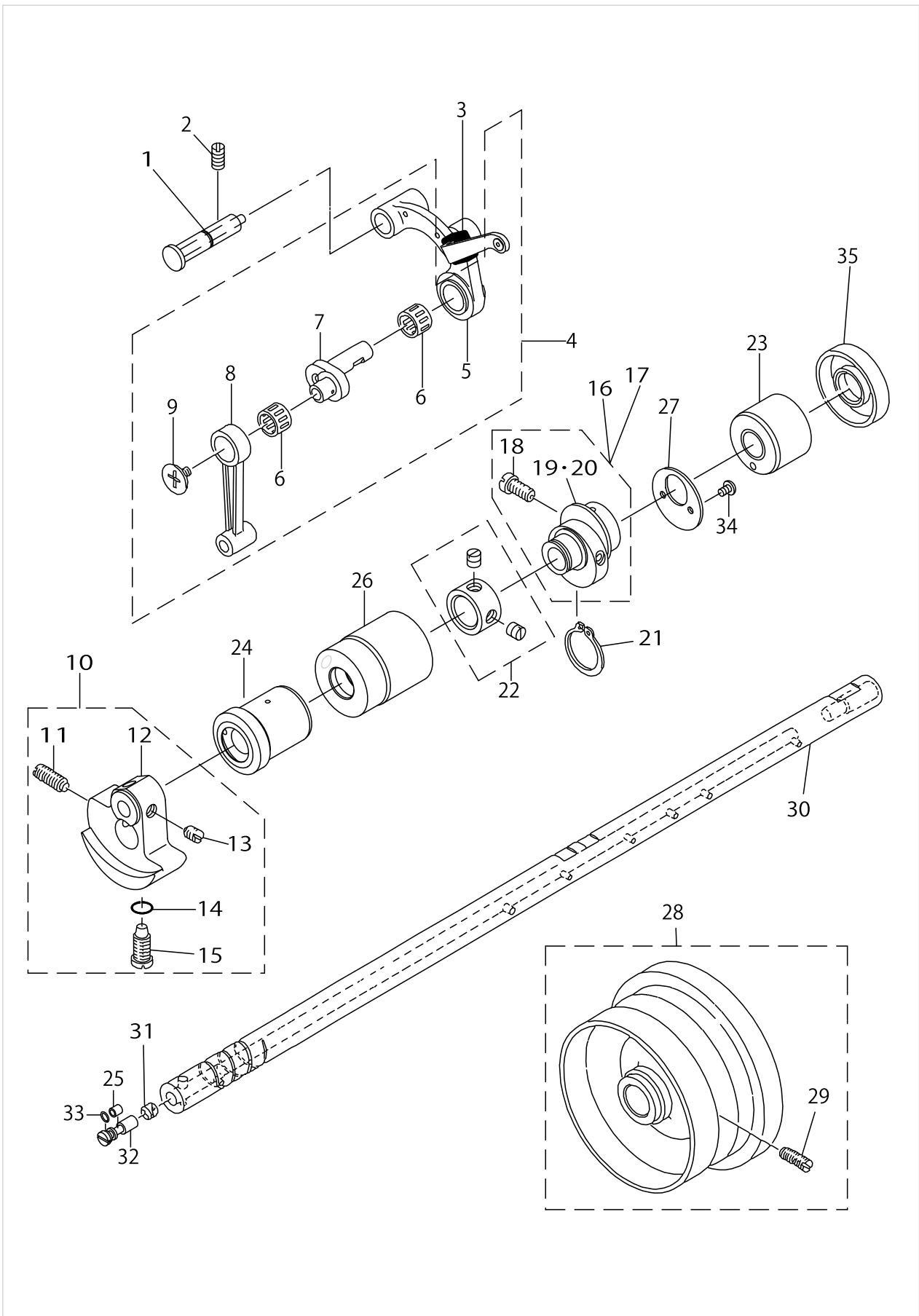
MACHINE FRAME & MISCELLANEOUS COVER COMPONENTS



MACHINE FRAME & MISCELLANEOUS COVER COMPONENTS

No.	Parts No.	Parts name	Remarks	Level	Cons	Qty
48	CM301300001	SAFETY LABEL				1

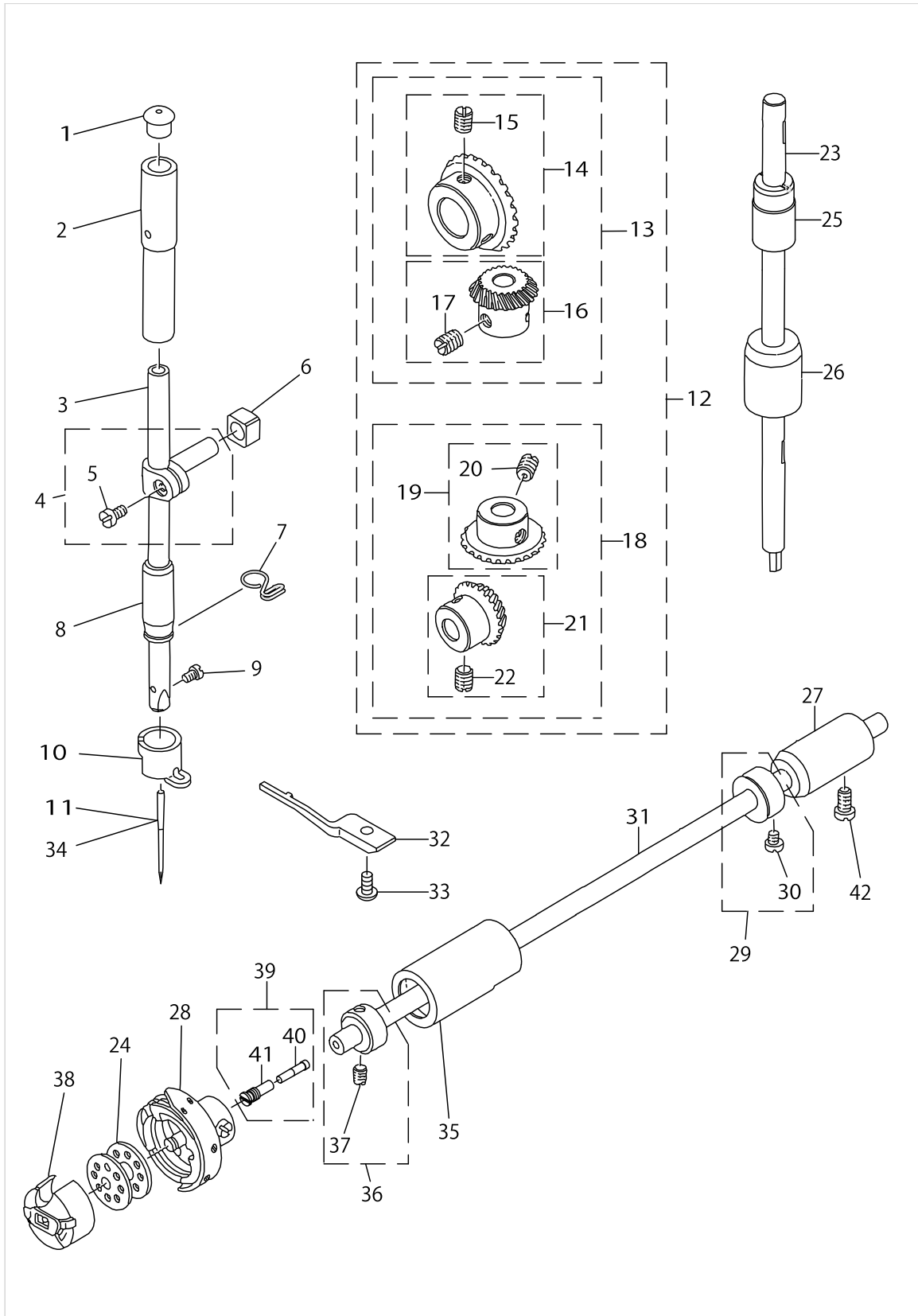
MAIN SHAFT & THREAD TAKE-UP LEVER COMPONENTS



MAIN SHAFT & THREAD TAKE-UP LEVER COMPONENTS

No.	Parts No.	Parts name	Remarks	Level	Cons	Qty
1	11017357	THREAD TAKE-UP CRANK SHAFT ASM				1
2	SS8151150TP	SCREW 15/64-28 L=10.5				1
3	22919203	OIL PROTECTING RUBBER				1
4	11403979	THREAD TAKE-UP LEVER ASM.				1
5	11403961	THREAD TAKE-UP LEVER ASM.		*		1
6	B1905541B00	NEEDLE BEARING	SELECTIVE PART	*		2
7	11091600	NEEDLE BAR CRANK H		*		1
8	B1408552000	NEEDLE BAR CRANK ROD		*		1
9	B1903552000	LEFT SCREW		*		1
10	40057179	COUNTER WEIGHT ASM.				1
11	SS8681650TP	SCREW 9/32-28 L=16		*		1
12	40057178	COUNTER WEIGHT		*		1
13	SS8660610TP	SCREW 1/4-40 L=6		*		2
14	RO044240100	RUBBER RING		*		1
15	SS7681650TP	SCREW 9/32-28 L=16		*		1
16	22970552	FEED ECCENTRIC CAM ASM.	EXCEPT DDL-5600NU			1
17	11403151	FEED CAM ASM.,U	FOR DDL-5600NU			1
18	SS6661110SP	SCREW 1/4-40 L=11		*		2
19	22970503	FEED ECCENTRIC CAM L	EXCEPT DDL-5600NU	*		1
20	11403102	FEED LIFTING ECCENTRIC CAM U	FOR DDL-5600NU	*		1
21	RC1850001KP	SNAP RING 18.5				1
22	22904155	MAIN SHAFT THRUST COLLAR ASM.				1
23	11002409	MAIN SHAFT BUSHING, REAR				1
24	22903207	MAIN SHAFT BUSHING, FRONT				1
25	B1215552000	OIL ADJUSTING COLLAR				1
26	22903306	BUSHING,INTERMEDIATE				1
27	11402401	THRUST COLLAR				1
28	11071362	FLYWHEEL ASM.				1
29	SS8151550SP	SCREW 15/64-28 L=15		*		2
30	22903009	MAIN SHAFT				1
31	11002904	ROLLER FELT				1
32	B1213552000A	OIL ADJUSTING PIN				1
33	RO029180100	RUBBER RING				1
34	SS4090615SP	SCREW 9/64-40 L=6				2
35	11002508	OIL SEAL				1

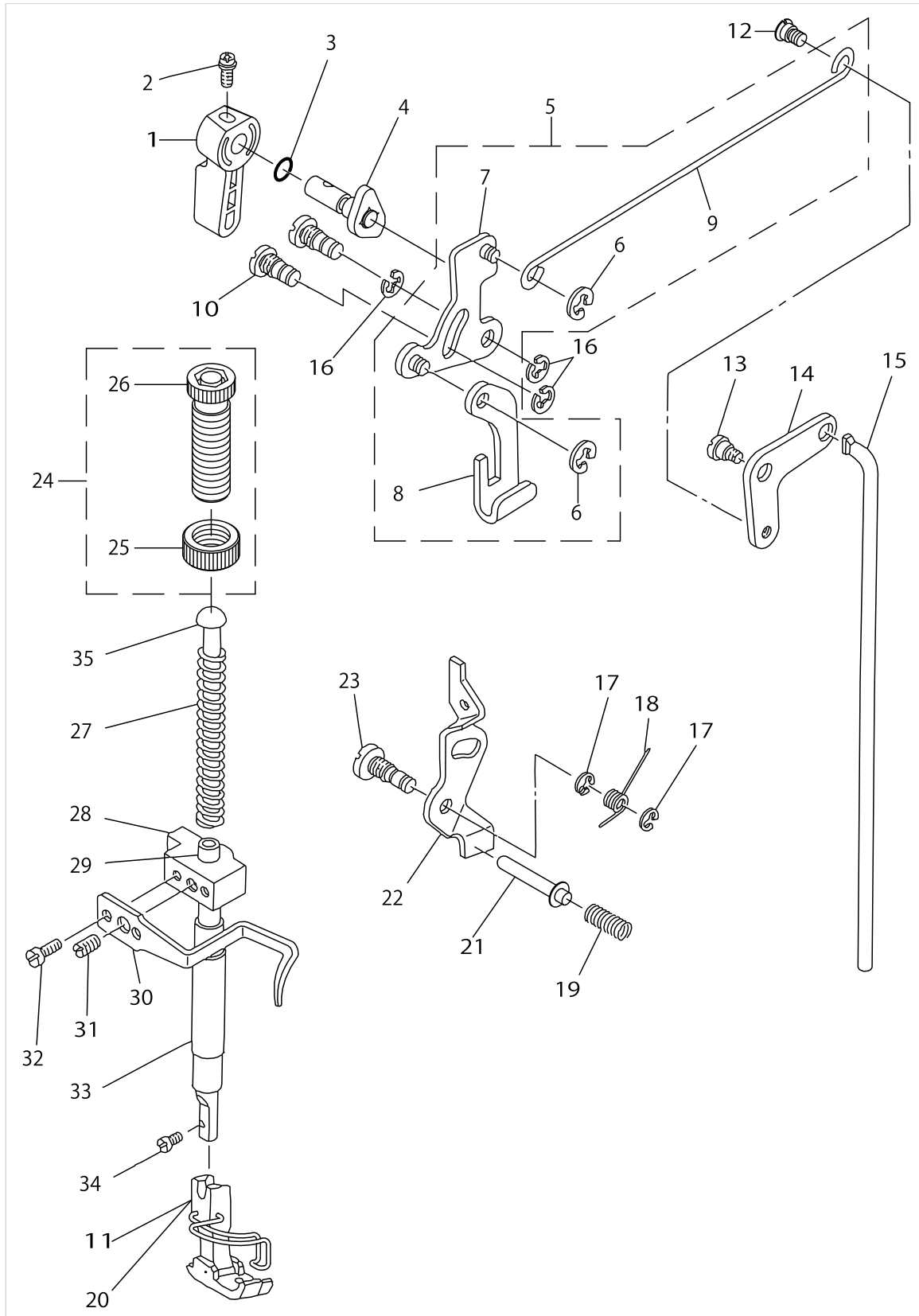
NEEDLE BAR, UPRIGHT SHAFT & HOOK DRIVING SHAFT COMPONENTS



NEEDLE BAR, UPRIGHT SHAFT & HOOK DRIVING SHAFT COMPONENTS

No.	Parts No.	Parts name	Remarks	Level	Cons	Qty
1	22901409	NEEDLE BAR UPPER BUSH CAP				1
2	B1402552000A	NEEDLE BAR BUSHING, UPPER				1
3	11401809	NEEDLE BAR				1
4	22906457	NEEDLE BAR HOLDER ASM.				1
5	SS6090670TP	SCREW 9/64-40 L=6		*		1
6	B1414555000	SLIDE BLOCK				1
7	40023223	NEEDLE BAR THREAD GUIDE				1
8	B1403553000	NEEDLE BAR BUSHING, LOWER				1
9	SS7080510TP	SCREW 1/8-44 L=4.5				1
10	40024124	NEEDLE BAR THREAD GUIDE				1
11	MDB100B2100	NEEDLE DBX1 #21				1
12	B13061550C0	GEAR & PINION ASM.				1
13	B13061550B0	GEAR & PINION ASM., UPPER		*		1
14	B13050120A0	GEAR ASM.		*		1
15	SS8660810TP	SCREW 1/4-40 L=8		*		2
16	B13061550A0	PINION ASM.		*		1
17	SS8660810TP	SCREW 1/4-40 L=8		*		2
18	B13071550B0	GEAR & PINION ASM., LOWER		*		1
19	B13071550A0	GEAR ASM. LARGE		*		1
20	SS8660810TP	SCREW 1/4-40 L=8		*		2
21	B13081550A0	PINION ASM.		*		1
22	SS8660810TP	SCREW 1/4-40 L=8		*		2
23	11401403	UPRIGHT SHAFT				1
24	40021610	BOBBIN				1
25	22905103	UPRIGHT SHAFT BUSHING, UPPER				1
26	11004207	UPRIGHT SHAFT BUSHING, LOWER				1
27	22916308	HOOK DRIVING SHAFT BUSH, REAR				1
28	B18302010A0	HOOK ASM.				1
29	CS079101ASH	THRUST COLLAR ASM. D=7.94 W=10				1
30	SS6110420TP	SCREW 11/64-40 L=4.8		*		2
31	11403300	HOOK DRIVING SHAFT				1
32	40021622	BOBBIN CASE POSITIONING FINGER				1
33	SS4110915TP	SCREW 11/64-40 L=9				1
34	MC200501400	NEEDLE 134 140	FOR JE			1
35	40021613	HOOK DRIVING SHAFT BUSH . FRON				1
36	CS079073ASH	THRUST COLLAR ASM.				1
37	SS8110410TP	SCREW 11/64-40 L= 3.5		*		2
38	B18372010A0	BOBBIN CASE ASM.				1
39	11404753	OIL SEAL SCREW				1
40	11404704	OIL WICK		*		1
41	22916506	SET SCREW		*		1
42	SS4120915SP	SCREW 3/16-28 L=9				1

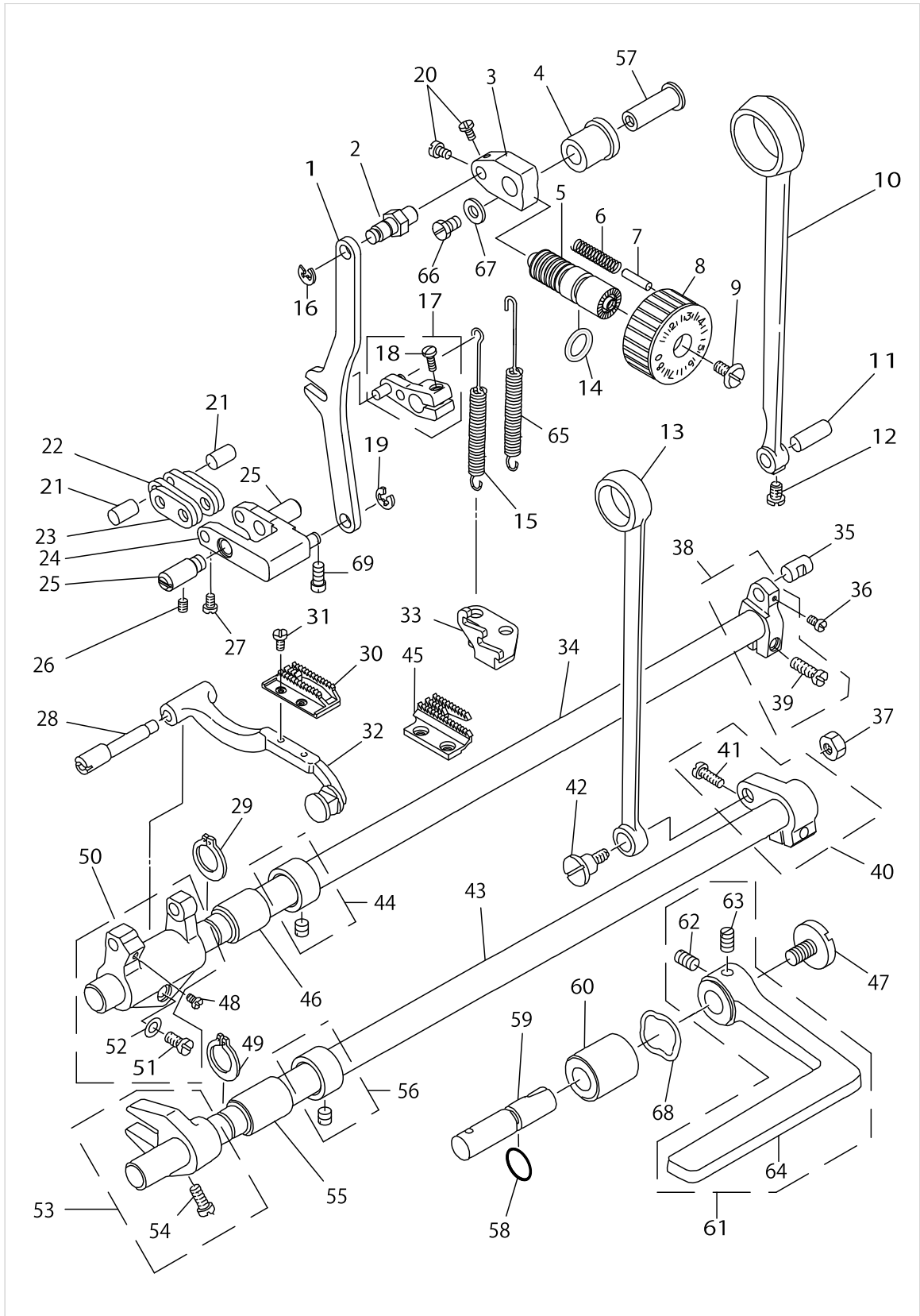
HAND LIFTER COMPONENTS



HAND LIFTER COMPONENTS

No.	Parts No.	Parts name	Remarks	Level	Cons	Qty
1	22907802	HAND LIFTER				1
2	B1521555000	SCREW				1
3	RO037180100	RUBBER RING				1
4	22908552	HAND LIFTER CAM ASM.				1
5	22908354	KNEE LIFTING CROSS ROD ASM.				1
6	RE0500000K0	E-RING		*		2
7	22908156	LIFTING LINK ASM.		*		1
8	22908008	LIFTING LEVER		*		1
9	22908305	KNEE LIFTER SIDE ROD		*		1
10	22908701	LINK SHAFT				2
11	D1524555EBL	PRESSER FOOT ASM.				1
12	22908909	HINGE SCREW				1
13	SD0720331SP	HINGE SCREW D= 7.24 H= 3.3				1
14	22908800	KNEE LIFTER LINK				1
15	22909006	KNEE LIFTER CONNECTING ROD				1
16	RE0500000K0	E-RING				3
17	RE0500000K0	E-RING				2
18	11018207	TENSION RELEASE RETURN SPRING				1
19	22920409	THREAD RELEASE PIN SPRING				1
20	D1524560EBB	PRESSER FOOT ASM.	FOR DDL-5600NU			1
21	22920300	THREAD RELEASE SUPPORTING PIN				1
22	22920003	THREAD RELEASE PLATE				1
23	22920102	THREAD RELEASE SHAFT				1
24	22907554	PRESSER SPRING REG NUT ASM.				1
25	22907604	PRESSER SPRING REGULATOR NUT		*		1
26	22907505	PRESSER SPRING REGULATOR		*		1
27	11401502	BUTTON CLAMP PRESSURE SPRING				1
28	11006004	PRESSER BAR GUIDE BRACKET				1
29	40017805	PRESSER BAR				1
30	22907307	THREAD GUIDE				1
31	SS8660810TP	SCREW 1/4-40 L=8				1
32	SS6090910SP	SCREW 9/64-40 L=9				2
33	40060989	PRESSER BAR BUSHING LOWER				1
34	SS7091110TP	SCREW 9/64-40 L=10.5				1
35	22907703	PRESSER GUIDE BAR				1

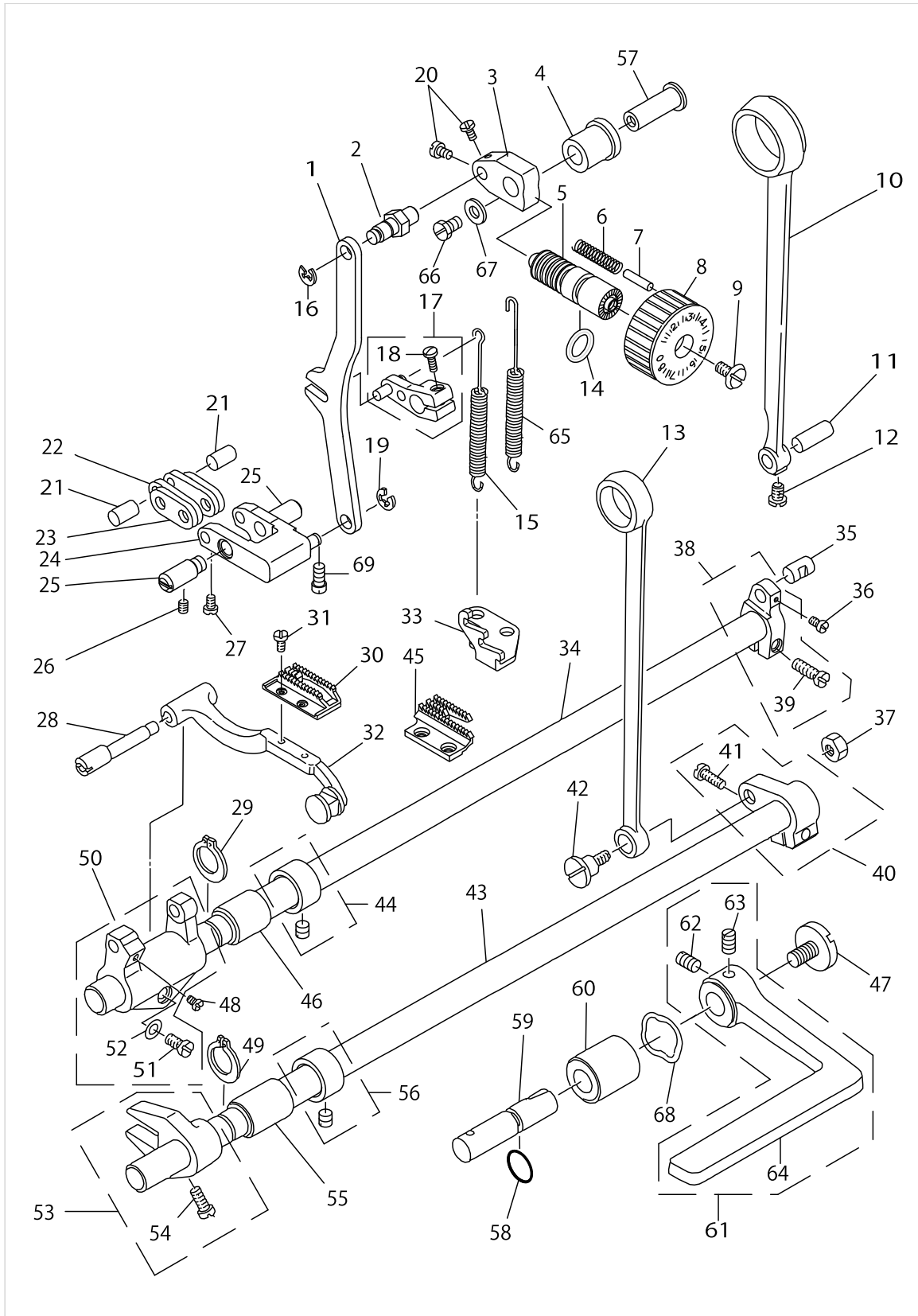
FEED MECHANISM COMPONENTS



FEED MECHANISM COMPONENTS

No.	Parts No.	Parts name	Remarks	Level	Cons	Qty
1	11302106	FEED ADJUST ROD				1
2	22971204	FEED REGULATOR BASE PIN				1
3	11402716	FEED REGULATOR				1
4	22911705	FEED REGULATOR BUSHING				1
5	22911804	FEED REGULATOR SCREW				1
6	22912109	FEED REGULATOR PIN SPRING				1
7	22912000	FEED REGULATOR PIN				1
8	11402203	FEED DIAL				1
9	SS6121860SP	SCREW 3/16-28 L=18				1
10	11402500	ROCKER SHAFT CONNECTING ROD				1
11	22911101	WALKING FOOT PIN C				1
12	SS6090620TP	SCREW				1
13	11014008	CONNECTING ROD				1
14	RO092270200	RUBBER RING				1
15	11305000	SPRING				1
16	RE0500000K0	E-RING				1
17	22971550	FEED LEVER ARM ASM.				1
18	SS7121410TP	SCREW 3/16-28 L=14		*		1
19	RE0500000K0	E-RING				1
20	SS6090560TP	SCREW 9/64-40 L=4.5				2
21	22910905	WALKING FOOT PIN A				2
22	11303005	CONNECTING LINK, B				2
23	11302908	CONNECTING LINK, A				2
24	11303161	FEED ADJUST LINK ASM.				1
25	22910806	ADJUST LINK FULCRUM SHAFT A				2
26	SS8150710TP	SCREW 15/64-28 L=7				2
27	SS6090620TP	SCREW				2
28	22940803	FEED BAR SHAFT				1
29	RC0150001KP	RETAINING RING 13.8				1
30	D1613560E0A	FEED DOG				1
31	SS4080620TP	SCREW 1/8-44 L=6				2
32	22940753	FEED BAR ASM.				1
33	22970602	FEED SPRING HOOK				1
34	22912901	FEED ROCKER SHAFT				1
35	22911002	WALKING FOOT PIN B				1
36	SS6090620TP	SCREW				1
37	NS6680410SP	NUT 9/32-28				1
38	22970859	HORIZONTAL FEED ARM ASM.				1
39	SS6121610SP	SCREW 3/16-28 L=15.5		*		1
40	22915151	FEED ARM COMPL.				1
41	SS7121610SP	SCREW 3/16-28 L=15.5		*		1
42	SD1000801SH	HINGE SCREW D=10 H=8				1
43	22915201	FEED DRIVING SHAFT				1
44	22904155	MAIN SHAFT THRUST COLLAR ASM.				1
45	D1613560E00	FEED DOG	FOR DDL-5600NU			1
46	22913008	FEED ROCKER SHAFT BUSHING				1
47	SS7620750SP	SCREW 3/16-32 L= 6.5				1

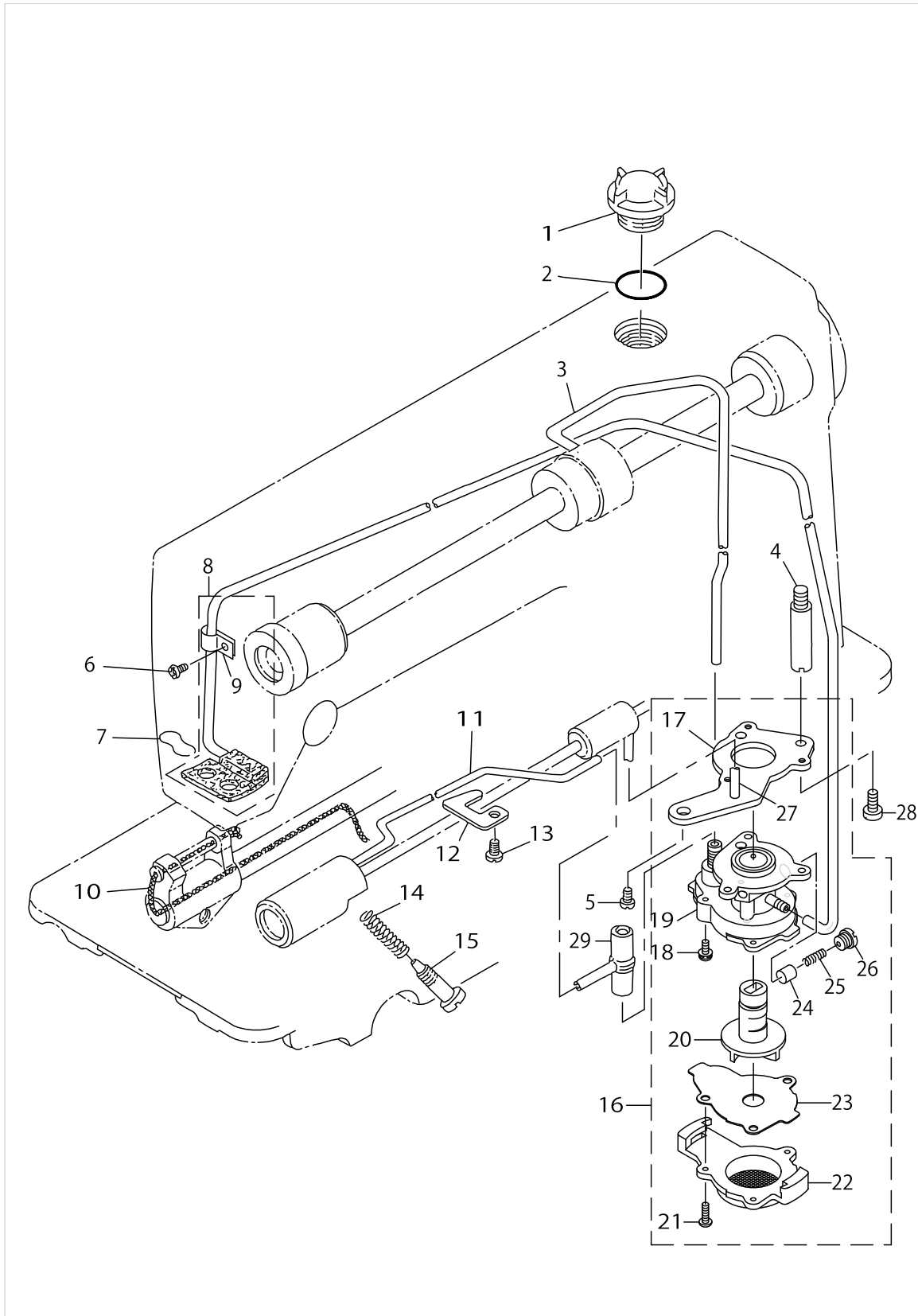
FEED MECHANISM COMPONENTS



FEED MECHANISM COMPONENTS

No.	Parts No.	Parts name	Remarks	Level	Cons	Qty
48	SS7110740TP	SCREW 11/64-40 L=7				1
49	RC0150001KP	RETAINING RING 13.8				1
50	22940654	FEED ROCKER ASM.				1
51	SS7121410TP	SCREW 3/16-28 L=14		*		1
52	WP0480856SP	WASHER 4.8X8.4X0.8		*		1
53	22915359	DRIVING SHAFT CRANK ASM.				1
54	SS7111120SP	SCREW 11/64-40 L=10.5		*		1
55	22913008	FEED ROCKER SHAFT BUSHING				1
56	22904155	MAIN SHAFT THRUST COLLAR ASM.				1
57	11385127	FEED REGULATOR SHAFT				1
58	RO078190100	RUBBER RING				1
59	22967202	FEED LEVERSE SHAFT				1
60	11010709	FEED LEVER METAL				1
61	22912752	FEED LEVER ASM.				1
62	SM8061050TP	SCREW		*		1
63	SM8061010TP	SCREW		*		1
64	22912703	FEED LEVER		*		1
65	11302619	SPRING				1
66	SS9661120CP	SCREW 1/4-40 L=10.5				1
67	WP0702026SP	WASHER 7X15X2				1
68	WZ1250300K0	WAVED WASHER 12.5X17X0.3				1
69	SS6151220SP	SCREW 15/64-28 L=11.5				1

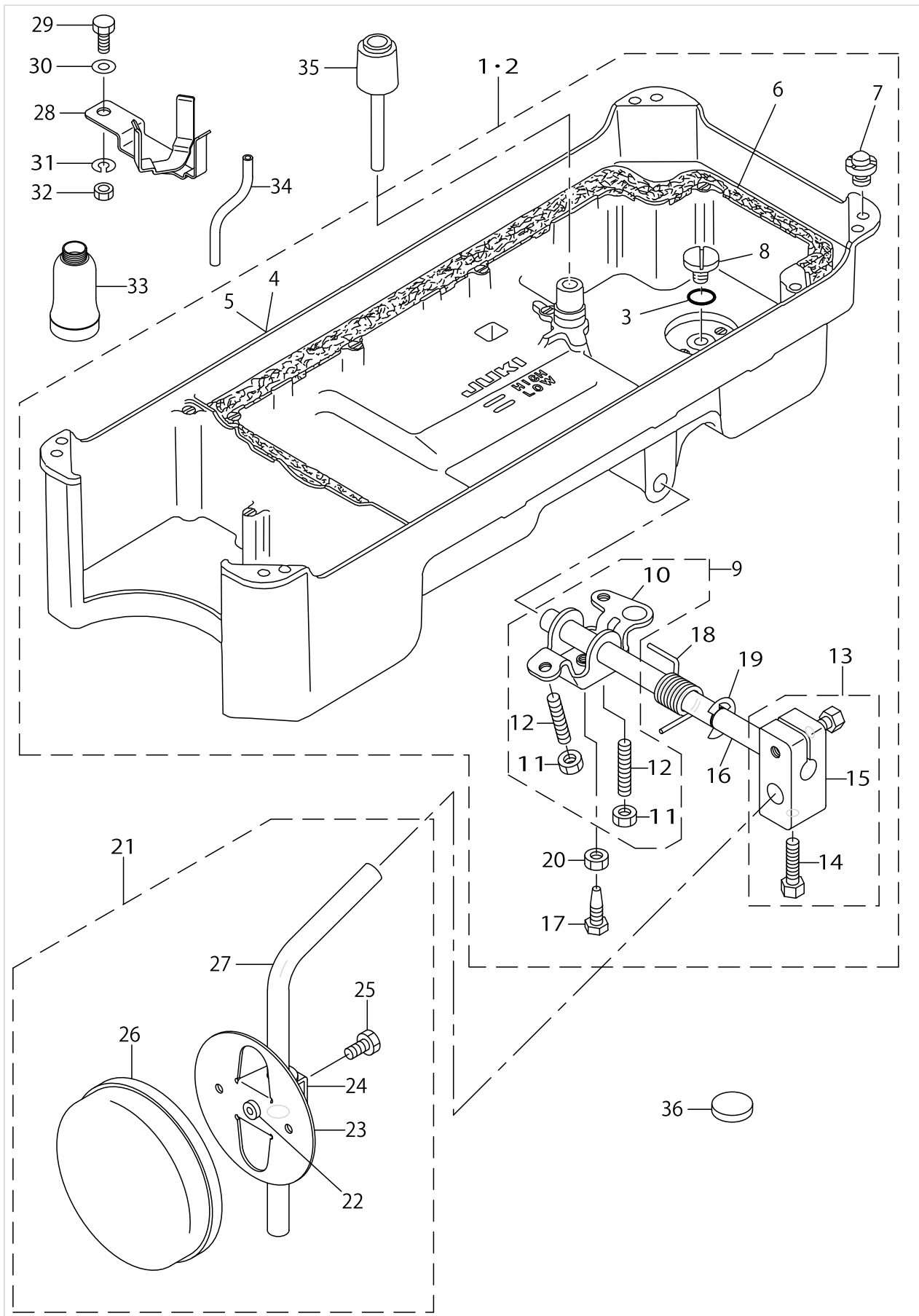
OIL LUBRICATION COMPONENTS



OIL LUBRICATION COMPONENTS

No.	Parts No.	Parts name	Remarks	Level	Cons	Qty
1	22924708	OIL SIGHT WINDOW				1
2	RO195240100	RUBBER RING				1
3	22924401	MAIN SHAFT OIL TUBE				1
4	22924005	PUMP BODY STRUT				1
5	SS4150915SP	SCREW 15/64-28 L=9				1
6	SS4120615SP	SCREW 3/16-28 L=6				1
7	22925101	OIL FELT PRESSER				1
8	22924153	RETURN PIPE ASM.				1
9	22924302	RETURN PIPE HOLDER		*		1
10	CQ252000000	OIL WICK				0.3
11	22924500	HOOK OIL TUBE				1
12	22924807	PIPE HOLDER, LOWER				1
13	SS4150915SP	SCREW 15/64-28 L=9				1
14	22924906	OIL REGULATOR SCREW SPRING				1
15	22925002	OIL REGULATOR SCREW				1
16	11404555	LUBRICATING OIL PUMP ASM.				1
17	22923312	OIL PUMP INSTALLING BASE		*		1
18	SL4030851SF	SCREW M3 L=8		*		3
19	22923015	OIL PUMP		*		1
20	22923700	IMPELLER		*		1
21	SE4301041SR	SCREW D=3 L=10		*		3
22	22923205	PUMP BODY COVER		*		1
23	22923809	PUMP BODY SUPPORT PLATE		*		1
24	22923403	PLUNGER		*		1
25	22923601	PLUNGER SPRING		*		1
26	22923502	PLUNGER SCREW		*		1
27	11404605	HOOK DRIVING SHAFT OIL TUBE		*		1
28	SS6111010TP	SCREW 11/64-40 L= 9.5				1
29	22924609	RUBBER JOINT				1

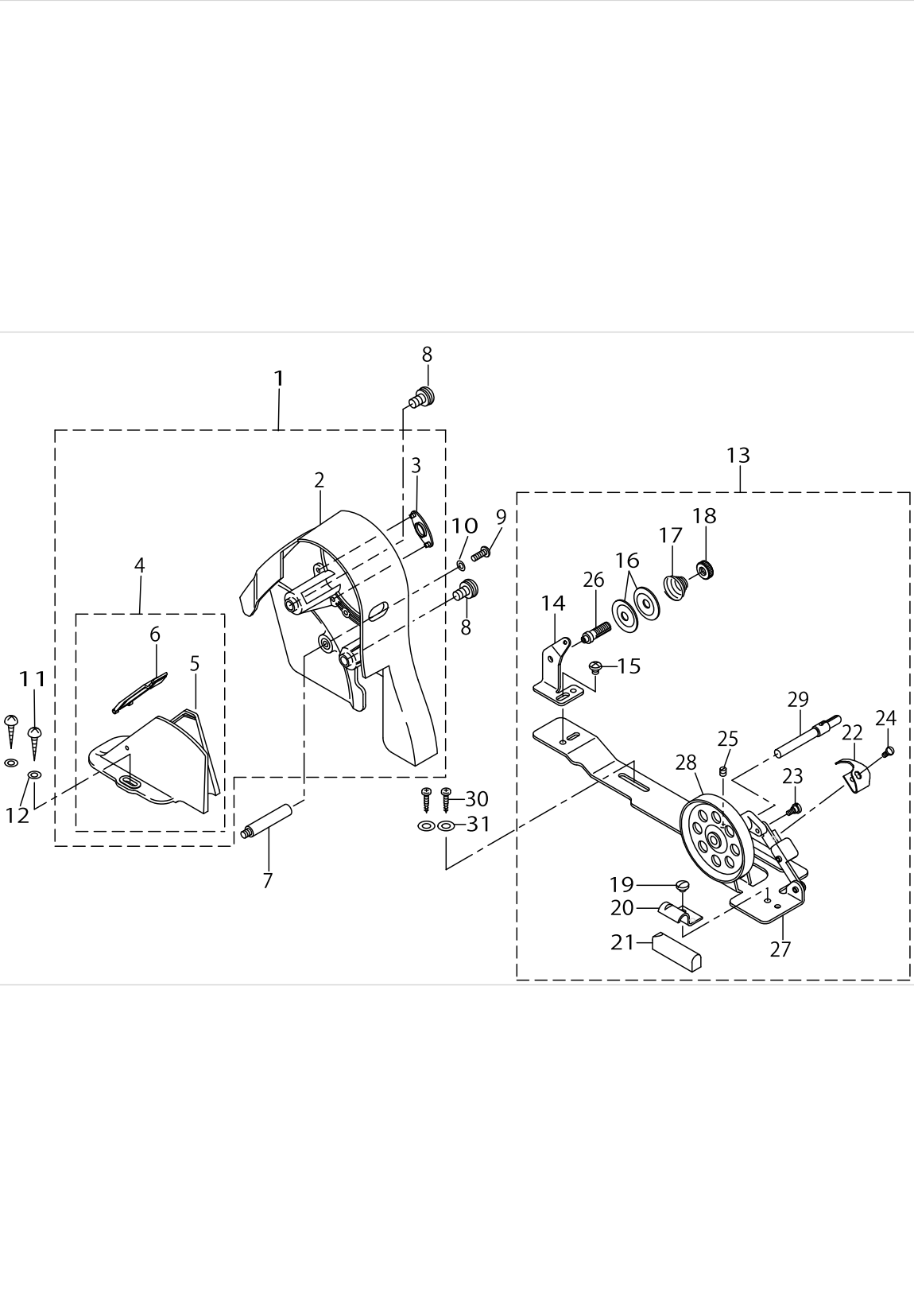
OIL RESERVOIR COMPONENTS



OIL RESERVOIR COMPONENTS

No.	Parts No.	Parts name	Remarks	Level	Cons	Qty
1	11047057	OIL RESERVOIR ASM.				1
2	11142064	OIL RESERVOIR ASM.	FOR DDL-5600NU			1
3	RO098240100	RUBBER RING		*		1
4	11023017	OIL RESERVOIR		*		1
5	11142056	OIL RESERVOIR ASM.	FOR DDL-5600NU	*		1
6	11024700	GASKET		*		1
7	11047107	RUBBER CUSHION		*		4
8	SS6700710SH	SCREW 5/16-24 L=7		*		1
9	22932156	KNEE LIFTER ROTATION ARM ASM.		*		1
10	22932107	KNEE LIFTER ROTATION ARM		*		1
11	NM6060001SE	NUT M6		*		2
12	SM8063012TR	SCREW M6 L=30		*		2
13	22932453	BRACKET ASM.		*		1
14	22934707	SCREW		*		2
15	22932404	BRACKET		*		1
16	22932305	KNEE PRESS ROD		*		1
17	SM9062563TR	SCREW M6 L=25		*		1
18	22932206	SPRING		*		1
19	RE1000000K0	E-RING 10		*		1
20	NM6060001SE	NUT M6		*		1
21	22934251	KNEE PAD PLATE ASM.				1
22	22934400	KNEE PAD PLATE RUBBER		*		1
23	22934202	KNEE PAD PLATE		*		1
24	22934301	KNEE PAD PLATE SUPPORT		*		1
25	SM9061203SE	SCREW M6 L=12		*		1
26	22934509	KNEE PAD PLATE COVER		*		1
27	22934608	KNEE PAD UPRIGHT SHAFT		*		1
28	11074408	SUPPORT BASE	FOR DDL-5600NU			1
29	SM9082023SE	SCREW M8 L=20	FOR DDL-5600NU			1
30	WP0871602SE	WASHER 8.7X18X1.6	FOR DDL-5600NU			1
31	WS0861410KR	SPRING WASHER 8.6X15X1.4	FOR DDL-5600NU			1
32	NM6080721SE	NUT M8	FOR DDL-5600NU			1
33	B9121012000	OIL CAN	FOR DDL-5600NU			1
34	BP900000000	VINYL TUBE D=9	FOR DDL-5600NU			0.6
35	11024304	KNEE PRESS LIFTER ROD				1
36	B8228125000	OIL RESERVOIR MAGNET				1

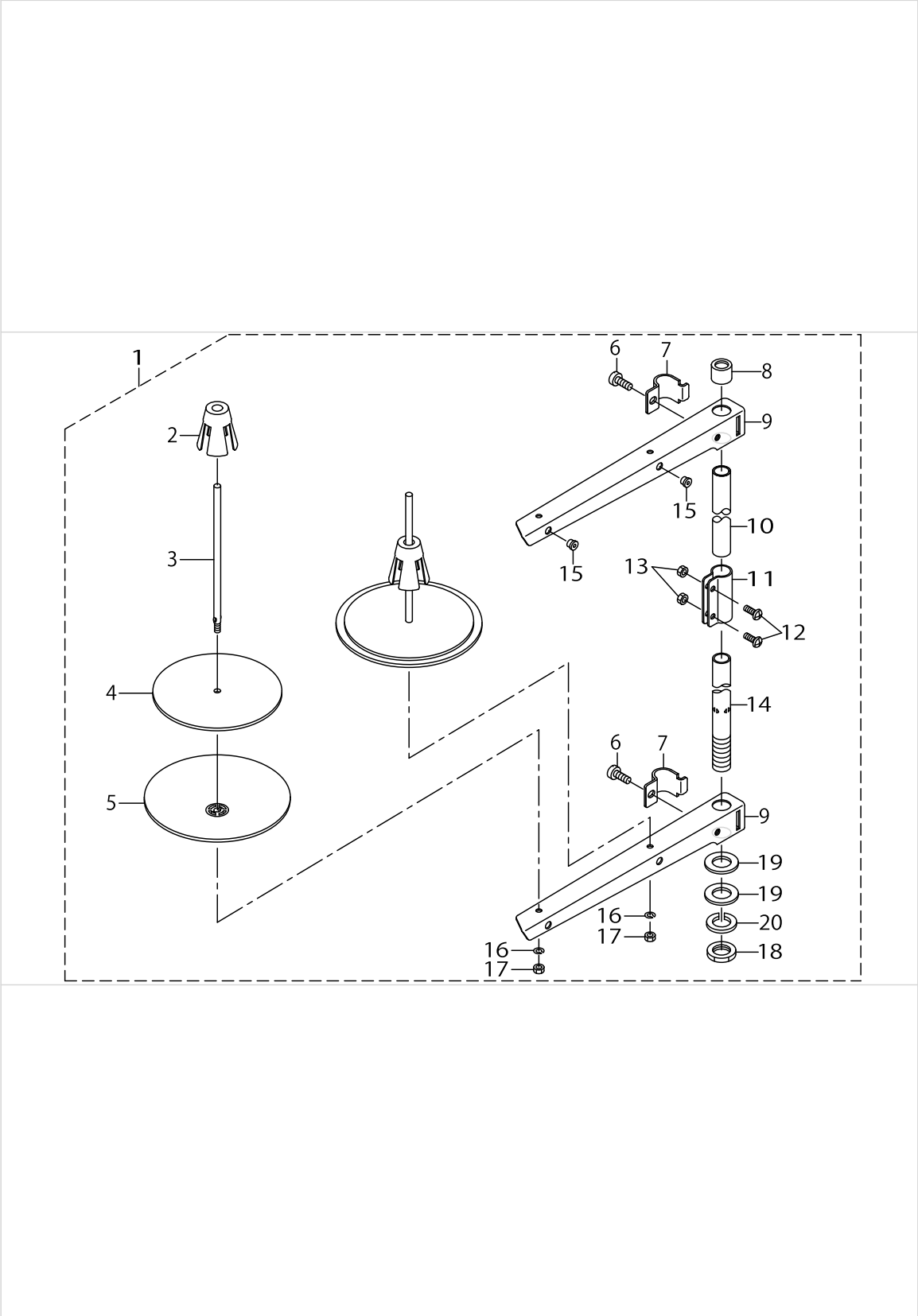
BELT COVER & BOBBIN WINDER COMPONENTS



BELT COVER & BOBBIN WINDER COMPONENTS

No.	Parts No.	Parts name	Remarks	Level	Cons	Qty
1	11076650	BELT COVER ASM. (URBANE GREY)				1
2	11076601	BELT COVER A		*		1
3	11076700	BELT COVER A CAP		*		1
4	11076858	BELT COVER B ASM.		*		1
5	11076809	BELT COVER B		*		1
6	11076957	BELT COVER B CAP ASM.		*		1
7	11023504	BELT COVER SUPPORT, A				1
8	11025202	BELT COVER A SCREW				2
9	SS4121415SP	SCREW 3/16-28 L=14				1
10	WP0501016SD	WASHER 5X10.5X1				1
11	SK3412000SC	WOOD SCREW D=4.1 L=20				2
12	WP0450826SC	WASHER 4.5X10X0.8				2
13	11415866	BOBBIN WINDER COMPL				1
14	22928501	THREAD TENSION POST BASE		*		1
15	SS4110515SP	SCREW 11/64-40 L=5		*		1
16	22928907	THREAD TENSION DISK		*		2
17	22929004	THREAD TENSION SPRING		*		1
18	22928808	NUT		*		1
19	SS4110515SP	SCREW 11/64-40 L=5		*		1
20	22928402	CONTROL RUBBER HOLDING PLATE		*		1
21	22928303	CONTROL RUBBER		*		1
22	11415908	POSITIONING FINGER		*		1
23	SD0490261SP	HINGE SCREW D=4.9 H=2.6		*		1
24	SS7081310SP	SCREW 1/8-44 L=12.5		*		1
25	SS8110510SP	SCREW 11/64-40 L=5		*		1
26	22928709	THREAD TENSION POST		*		1
27	22927305	BOBBIN WINDER BASE		*		1
28	22927404	BOBBIN WINDER		*		1
29	22927602	BOBBIN WINDER SPINDLE		*		1
30	SK3412000SC	WOOD SCREW D=4.1 L=20				2
31	WP0450826SC	WASHER 4.5X10X0.8				2

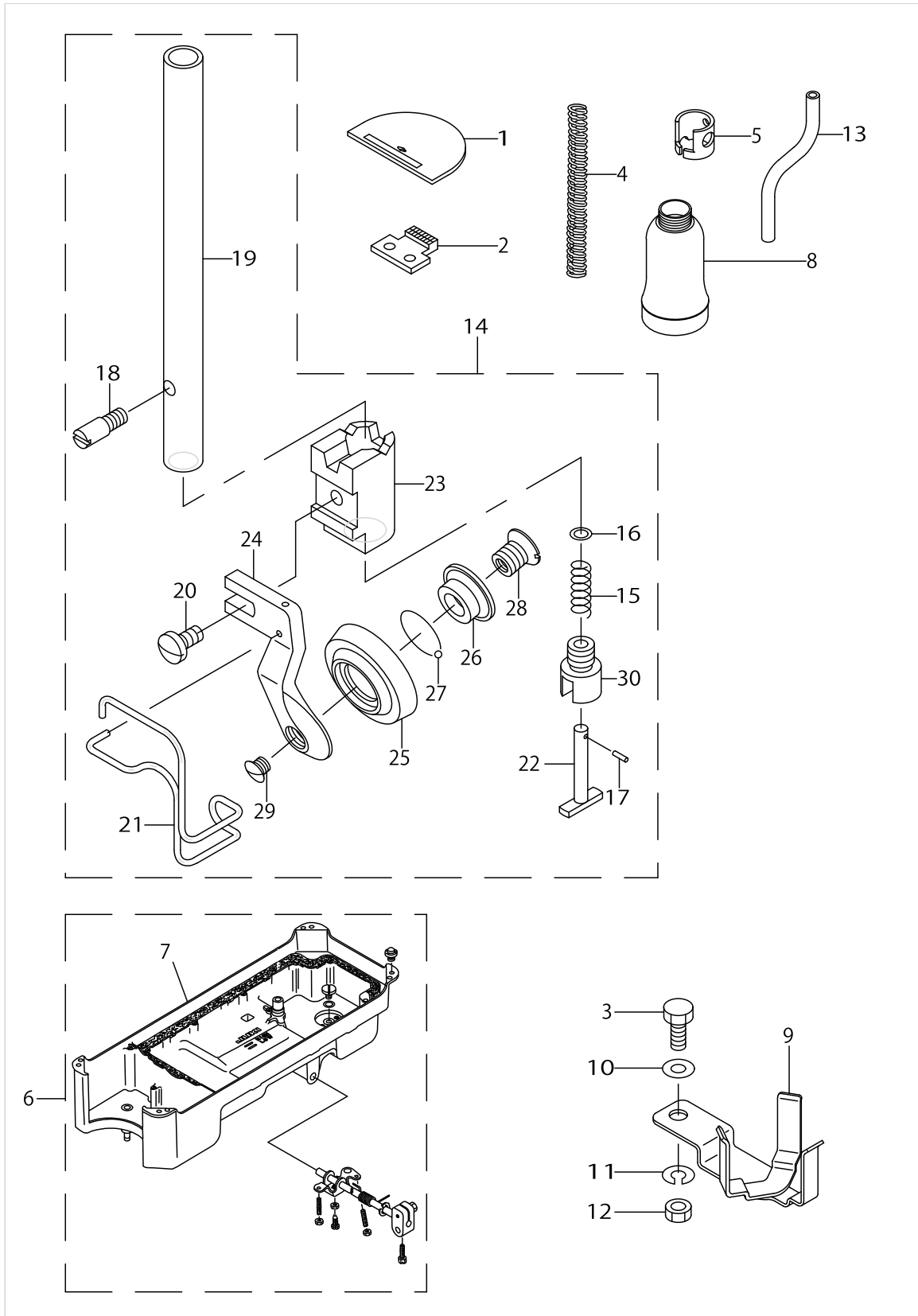
THREAD STAND COMPONENTS



THREAD STAND COMPONENTS

No.	Parts No.	Parts name	Remarks	Level	Cons	Qty
1	22930358	THREAD STAND ASM.				1
2	22931109	SPOOL RETAINER		*		2
3	22931000	SPOOL PIN		*		2
4	22930903	SPOOL REST CUSHION		*		2
5	22930804	SPOOL REST		*		2
6	SM6061610SC	SCREW M6 L=16		*		2
7	22930705	THREAD GUIDE ARM JOINT		*		2
8	22931406	SPOOL REST ROD RUBBER CAP		*		1
9	22930507	SPOOL REST ARM		*		2
10	22930408	SPOOL REST ROD, UPPER		*		1
11	22931307	SPOOL REST ROD JOINT		*		1
12	SM4051405SE	SCREW M5 L=14		*		2
13	NM6050001SE	NUT M5		*		2
14	22930309	SPOOL REST ROD, LOWER		*		1
15	22931208	THREAD GUIDE		*		2
16	WS0510002KN	SPRING WASHER		*		2
17	NM6050001SE	NUT M5		*		2
18	NM6160511SE	NUT M16X1.5		*		1
19	WP1612616SE	WASHER 16X30X2.6		*		2
20	WS1643202KR	SPRING WASHER		*		1

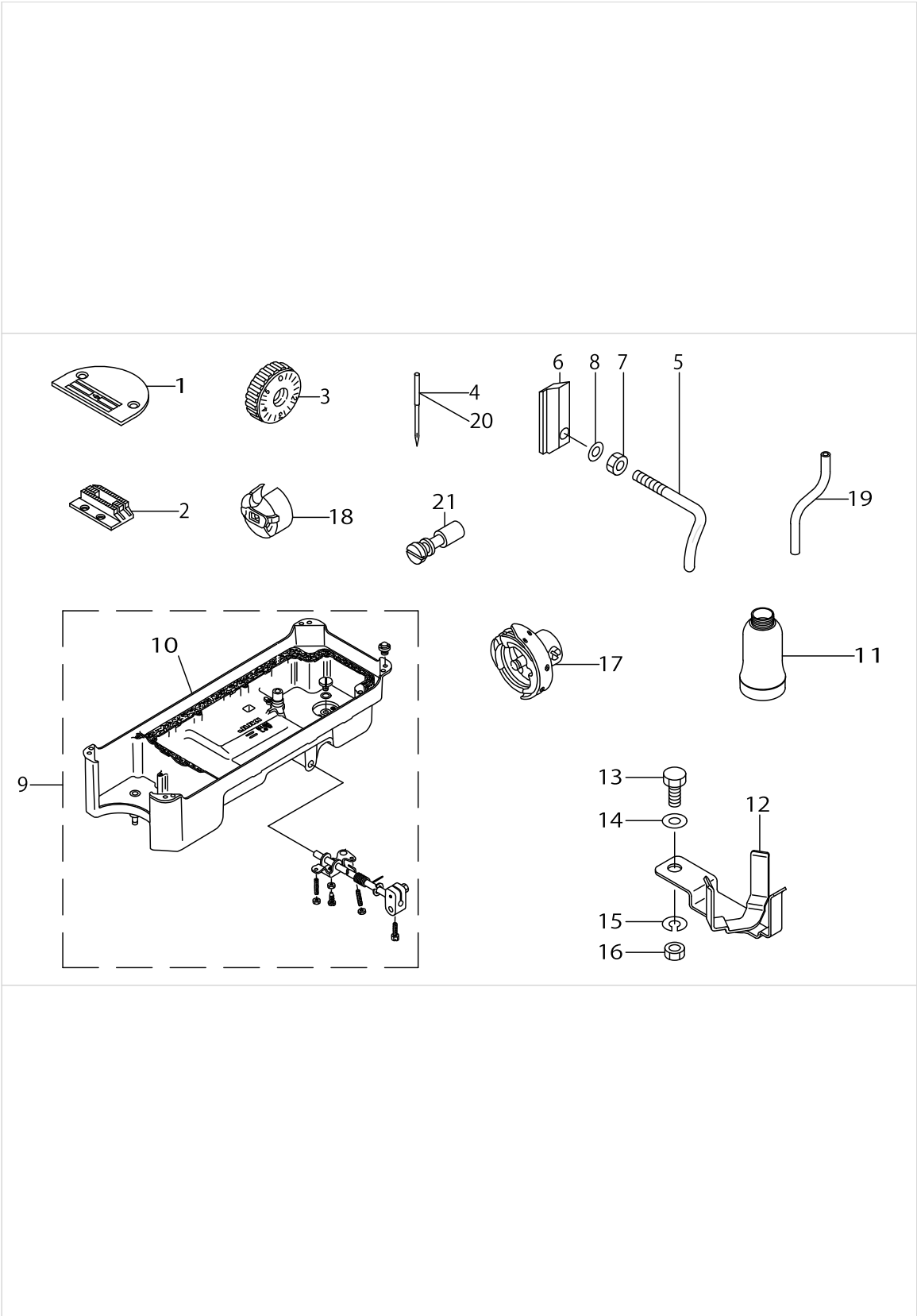
EXCLUSIVE PARTS FOR DDL-5600NR



EXCLUSIVE PARTS FOR DDL-5600NR

No.	Parts No.	Parts name	Remarks	Level	Cons	Qty
1	11405800	THROAT PLATE				1
2	11405701	FEED DOG, R				1
3	SM9082023SE	SCREW M8 L=20				1
4	22907406	PRESSER SPRING				1
5	11401916	NEEDLE BAR THREAD GUIDE U				1
6	11142064	OIL RESERVOIR ASM.				1
7	11142056	OIL RESERVOIR ASM.		*		1
8	B9121012000	OIL CAN				1
9	11074408	SUPPORT BASE				1
10	WP0871602SE	WASHER 8.7X18X1.6				1
11	WS0861410KR	SPRING WASHER 8.6X15X1.4				1
12	NM6080721SE	NUT M8				1
13	BP900000000	VINYL TUBE D=9				0.6
14	B1524560RB0	ROLLER PRESSER ASM.				1
15	B1514560R00	SPRING		*		1
16	B1513560R00	WASHER		*		1
17	B1512560R00	PIN		*		1
18	B1523560R00	FIXED SCREW		*		1
19	B1501560R00	PRESSER ROD R		*		1
20	SS7090710SP	SCREW 9/64-40 L= 6.8		*		1
21	B1421560R00	NEEDLE SAFETY COVER		*		1
22	B1515560R00	SPRING SHAFT		*		1
23	B1517560R00	ROLLER PRESSER BASE		*		1
24	B1519560R00	ROLLER PRESSER		*		1
25	B1522560R00	ROLLER		*		1
26	B1521560R00	ROLLER BUSH		*		1
27	B1511560R00	STEEL BOLL		*		48
28	B1520560R00	SCREW		*		1
29	B1518560R00	SCREW		*		1
30	B1516560R00	SPRING HOLDER		*		1

EXCLUSIVE PARTS FOR DDL-5600NJ



EXCLUSIVE PARTS FOR DDL-5600NJ

No.	Parts No.	Parts name	Remarks	Level	Cons	Qty
1	11400801	THROAT PLATE J				1
2	11403003	FEED J				1
3	11402104	FEED DIAL, J				1
4	MDB100B2100	NEEDLE DBX1 #21				1
5	11305513	ARM THREAD GUIDE, C				1
6	11403805	THREAD GUIDE C FITTING PLATE				1
7	NS6090310SP	NUT 9/64-40				1
8	WP0371016SD	WASHER 3.7X8X1				1
9	11142064	OIL RESERVOIR ASM.				1
10	11142056	OIL RESERVOIR ASM.		*		1
11	B9121012000	OIL CAN				1
12	11074408	SUPPORT BASE				1
13	SM9082023SE	SCREW M8 L=20				1
14	WP0871602SE	WASHER 8.7X18X1.6				1
15	WS0861410KR	SPRING WASHER 8.6X15X1.4				1
16	NM6080721SE	NUT M8				1
17	D1830560EA0	HOOK ASM.				1
18	B1837201SA0	BOBBIN CASE ASM.				1
19	BP900000000	VINYL TUBE D=9				0.6
20	MC200501300	NEEDLE 134 NM130	FOR JE			1
21	11003001	OIL AMOUNT ADJUSTING PIN				1

LIST FOR INFORMATION OF CHANGE (1)

As to the place changed, refer to the corresponding Rev.No.
 When previous parts(Obsoleted part)and new parts(Added parts)are
 not interchangeable with each other:
 In this case,even obsoleted parts(D.)can be ordered with the
 obsoleted part number,so select the parts with changed dates and
 place your orders.

変更箇所は、該当Rev.No.版をご参照ください。
 部品の互換性がない変更の場合は、削除された品番でも、ご注文できます。

29134103
 No.0884-07 Rev.No.

*A:Added parts追加部品/D:Obsoleted parts削除部品/E:Erratum訂正

* Rev. No.	Page 頁	Ref. No.	Parts No. 品番	* Rev. No.	Page 頁	Ref. No.	Parts No. 品番
D 06	2	4	114-00553	A 07	2	4	400-21790
D 06	2	8	110-70901	A 07	2	8	229-00401
D 06	2	18	110-01500	A 07	2	18	229-21001
D 06	2	19	110-73657	A 07	2	19	229-62054
D 06	2	20	110-72204	A 07	2	20	229-21308
D 06	2	21	B3120-125-000	A 07	2	21	229-21407
D 06	2	22	B3114-232-000	A 07	2	22	229-62005
D 06	2	23	B3132-552-000	A 07	2	23	229-21803
D 06	2	24	B3126-012-000	A 07	2	24	229-21506
D 06	2	25	B3115-552-000	A 07	2	25	229-21209
D 06	2	26	B3128-012-000	A 07	2	26	229-21605
D 06	2	27	B3111-552-B00	A 07	2	27	229-45307
D 06	2	46	229-01904	A 07	2	46	114-15205
D 06	2	48	CM-3002000-B1				
D 06	2	49	CM-3002001-01	A 07	2	48	CM-3013000-01
D 06	2	50	CM-3002001-A1				
D 06	4	10	114-01353	A 07	4	10	400-57179
D 06	4	12	114-01312	A 07	4	12	400-57178
D 06	4	16	114-02351	A 07	4	16	229-70552
D 06	4	19	114-02302	A 07	4	19	229-70503
D 06	4	28	110-71354	A 07	4	28	110-71362
D 06	6	4	B1411-552-OA0	A 07	6	4	229-06457
D 06	6	7	B1419-553-000	A 07	6	7	400-23223
D 06	6	8	110-05105	A 07	6	8	B1403-553-000
D 06	6	10	114-01619	A 07	6	10	400-24124
D 06	6	24	B9117-201-000	A 07	6	24	400-21610
D 06	6	27	110-15807	A 07	6	27	229-16308
D 06	6	32	114-03508	A 07	6	32	400-21622
D 06	6	35	114-03409	A 07	6	35	400-21613
D 06	8	10	110-06509	A 07	8	10	229-08701
D 06	8	19	110-18405	A 07	8	19	229-20409
D 06	8	22	110-18009	A 07	8	22	229-20003
D 06	8	23	110-18108	A 07	8	23	229-20102
D 06	8	29	229-07000	A 07	8	29	400-17805
D 06	8	33	D1510-491-D00	A 07	8	33	400-60989
D 06	10	2	113-02817	A 07	10	2	229-71204

LIST FOR INFORMATION OF CHANGE (2)

*	Rev. No.	Page 頁	Ref. No.	Parts No. 品番	*	Rev. No.	Page 頁	Ref. No.	Parts No. 品番
D	06	10	17	113-02254	A	07	10	17	229-71550
D	06	10	33	113-01900	A	07	10	33	229-70602
D	06	10	38	114-02658	A	07	10	38	229-70859
D	06	10	59	110-53105	A	07	10	59	229-67202
D	06	12	1	B3530-555-000	A	07	12	1	229-24708
D	06	12	3	110-21201	A	07	12	3	229-24401
D	06	12	17	110-20302	A	07	12	17	229-23312
D	06	12	19	110-20013	A	07	12	19	229-23015
D	06	12	20	110-20708	A	07	12	20	229-23700
D	06	12	22	110-20203	A	07	12	22	229-23205
D	06	12	23	110-20807	A	07	12	23	229-23809
D	06	12	24	110-20401	A	07	12	24	229-23403
D	06	12	25	110-20609	A	07	12	25	229-23601
D	06	12	26	110-20500	A	07	12	26	229-23502
D	06	14	17	SM-9061853-SR	A	07	14	17	SM-9062563-TR
					A	07	14	20	NM-6060001-SE
D	06	14	20	110-23751	A	07	14	21	229-34251
D	06	14	21	B3419-122-000	A	07	14	27	229-34608
D	06	14	22	110-24403	A	07	14	22	229-34400
D	06	14	23	110-23702	A	07	14	23	229-34202
D	06	14	24	110-23801	A	07	14	24	229-34301
D	06	14	26	B3431-552-000-A	A	07	14	26	229-34509
D	06	14	33	114-10453					
					A	07	14	36	B8228-125-000
D	06	15	14	110-78250	A	07	15	14	229-28501
D	06	15	15	SS-7110840-SP	A	07	15	15	SS4110515-SP
D	06	15	16	B3126-012-000	A	07	15	16	229-28907
D	06	15	17	B3129-012-B00	A	07	15	17	229-29004
D	06	15	18	B3125-012-000	A	07	15	18	229-28808
D	06	15	20	110-78102	A	07	15	20	229-28402
D	06	15	21	B3211-555-000	A	07	15	21	229-28303
D	06	15	25	SM-8040502-TP	A	07	15	25	SS8110510-SP
D	06	15	26	WP-048056-SP					
					A	07	15	26	229-28709
D	06	15	27	110-77500	A	07	15	27	229-27305
D	06	15	28	110-77609	A	07	15	28	229-27404
D	06	15	29	B3204-555-000	A	07	15	29	229-27602
D	06	18	14	114-10560					
D	06	19	21	114-10560					

HOW TO MAKE USE OF THIS PARTS LIST

1.Explanation of codes

1)"*"mark.....means this part is changed from the previous parts book.

As to the details of the change, refer to the "List for information of change".

2)"#01".....refer to "Note" explanation at bottom of page.

2.Codes on the "Qty" column

- Each numeral indicates the number of parts required.
- "0.1" and "2.5" indicate the length (in meters) of the respective parts.

3.Parentheses mean that the corresponding part is a subpart that constructs an assembly part.

4.Dotted lines on the Figures indicate assembly parts.

1."注記"欄の記号説明

1) "*"印.....前回のパーツブックに比較して今回変更された部品を意味します。

変更内容は、"変更情報リスト"を参照してください。

2) "#01".....ページ下の"注記"の説明を参照してください。

2.数量欄の数字は、個数を表し、0.1、2.5等の数値は、長さ（単位メートル）を表します。

3.数量欄の（ ）は、組部品を構成している子部品であることを意味します。

4.イラストページの-----枠は、組構成であることを意味します。

NUMERICAL INDEX OF PARTS

PART NO	PAGE	REF NO.	PART NO	PAGE	REF NO.	PART NO	PAGE	REF NO.
10004109	2	14	11305513	26	5	22907505	10	26
11000304	2	2	11385127	14	57	22907554	10	24
11002409	6	23	11400801	26	1	22907604	10	25
11002508	6	35	11401403	8	23	22907703	10	35
11002904	6	31	11401502	10	27	22907802	10	1
11003001	26	21	11401809	8	3	22908008	10	8
11003308	2	9	11401916	24	5	22908156	10	7
11004207	8	26	11402104	26	3	22908305	10	9
11006004	10	28	11402203	12	8	22908354	10	5
11010709	14	60	11402401	6	27	22908552	10	4
11014008	12	13	11402500	12	10	22908701	10	10
11017357	6	1	11402716	12	3	22908800	10	14
11018207	10	18	11403003	26	2	22908909	10	12
11023017	18	4	11403102	6	19-20	22909006	10	15
11023504	20	7	11403151	6	17	22910806	12	25
11024304	18	35	11403300	8	31	22910905	12	21
11024700	18	6	11403805	26	6	22911002	12	35
11025202	20	8	11403961	6	5	22911101	12	11
11047057	18	1-2	11403979	6	4	22911705	12	4
11047107	18	7	11404555	16	16	22911804	12	5
11070851	2	1	11404605	16	27	22912000	12	7
11071362	6	28	11404704	8	40	22912109	12	6
11074408	18	28	11404753	8	39	22912703	14	64
11074408	24	9	11405701	24	2	22912752	14	61
11074408	26	12	11405800	24	1	22912901	12	34
11076601	20	2	11415205	2	46	22913008	12	55
11076650	20	1	11415866	20	13	22913008	14	55
11076700	20	3	11415908	20	22	22915151	12	40
11076809	20	5	22900401	2	8	22915201	12	43
11076858	20	4	22901003	2	41	22915359	14	53
11076957	20	6	22901201	2	38	22916308	8	27
11091006	2	17	22901250	2	37	22916506	8	41
11091600	6	7	22901300	2	39	22919203	6	3
11142056	18	5	22901409	8	1	22920003	10	22
11142056	24	7	22902605	2	42	22920102	10	23
11142056	26	10	22903009	6	30	22920300	10	21
11142064	18	1-2	22903207	6	24	22920409	10	19
11142064	24	6	22903306	6	26	22920607	2	33
11142064	26	9	22904155	6	22	22920706	2	13
11302106	12	1	22904155	12	56	22920904	2	30
11302619	14	65	22904155	14	56	22921001	2	18
11302908	12	23	22905103	8	25	22921209	2	25
11303005	12	22	22906457	8	4	22921308	2	20
11303161	12	24	22907307	10	30	22921407	2	21
11305000	12	15	22907406	24	4	22921506	2	24

NUMERICAL INDEX OF PARTS

PART NO	PAGE	REF NO.	PART NO	PAGE	REF NO.	PART NO	PAGE	REF NO.
22921605	2	26	22932206	18	18	B1403553000	8	8
22921803	2	23	22932305	18	16	B1408552000	6	8
22923015	16	19	22932404	18	15	B1414555000	8	6
22923205	16	22	22932453	18	13	B1421560R00	24	21
22923312	16	17	22934202	18	23	B1501560R00	24	19
22923403	16	24	22934251	18	21	B1511560R00	24	27
22923502	16	26	22934301	18	24	B1512560R00	24	17
22923601	16	25	22934400	18	22	B1513560R00	24	16
22923700	16	20	22934509	18	26	B1514560R00	24	15
22923809	16	23	22934608	18	27	B1515560R00	24	22
22924005	16	4	22934707	18	14	B1516560R00	24	30
22924153	16	8	22940654	14	50	B1517560R00	24	23
22924302	16	9	22940753	12	32	B1518560R00	24	29
22924401	16	3	22940803	12	28	B1519560R00	24	24
22924500	16	11	22945307	2	27	B1520560R00	24	28
22924609	16	29	22958300	2	12	B1521555000	10	2
22924708	16	1	22962005	2	22	B1521560R00	24	26
22924807	16	12	22962054	2	19	B1522560R00	24	25
22924906	16	14	22967202	14	59	B1523560R00	24	18
22925002	16	15	22970503	6	19-20	B1524560RB0	24	14
22925101	16	7	22970552	6	16	B18302010A0	8	28
22927305	20	27	22970602	12	33	B18372010A0	8	38
22927404	20	28	22970859	12	38	B1837201SA0	26	18
22927602	20	29	22971204	12	2	B1903552000	6	9
22928303	20	21	22971550	12	17	B1905541B00	6	6
22928402	20	20	40017805	10	29	B8228125000	18	36
22928501	20	14	40021610	8	24	B9121012000	18	33
22928709	20	26	40021613	8	35	B9121012000	24	8
22928808	20	18	40021622	8	32	B9121012000	26	11
22928907	20	16	40021790	2	4	BP900000000	18	34
22929004	20	17	40023223	8	7	BP900000000	24	13
22930309	22	14	40024124	8	10	BP900000000	26	19
22930358	22	1	40057178	6	12	CM300200001	2	47
22930408	22	10	40057179	6	10	CM301300001	4	48
22930507	22	9	40060989	10	33	CQ252000000	16	10
22930705	22	7	B1213552000A	6	32	CS079073ASH	8	36
22930804	22	5	B1215552000	6	25	CS079101ASH	8	29
22930903	22	4	B13050120A0	8	14	D1109555E0L	2	31
22931000	22	3	B13061550A0	8	16	D1109560E0B	2	44
22931109	22	2	B13061550B0	8	13	D1126560E00A	2	45
22931208	22	15	B13061550C0	8	12	D1524555EBL	10	11
22931307	22	11	B13071550A0	8	19	D1524560EBB	10	20
22931406	22	8	B13071550B0	8	18	D1613560E00	12	45
22932107	18	10	B13081550A0	8	21	D1613560E0A	12	30
22932156	18	9	B1402552000A	8	2	D1830560EA0	26	17

NUMERICAL INDEX OF PARTS

PART NO	PAGE	REF NO.	PART NO	PAGE	REF NO.	PART NO	PAGE	REF NO.
MC200501300	26	20	SS4110915TP	8	33	TA0850604R0	2	5
MC200501400	8	34	SS4120615SP	2	16	TA1250406R0	2	35
MDB100B2100	8	11	SS4120615SP	16	6	TA1250705R0	2	6
MDB100B2100	26	4	SS4120915SP	2	36	TA2000502R0	2	10
NM6050001SE	22	17	SS4120915SP	8	42	TA2101002R0	2	11
NM6060001SE	18	20	SS4121415SP	20	9	WP0371016SD	26	8
NM6080721SE	18	32	SS4150915SP	16	13	WP0450826SC	20	31
NM6080721SE	24	12	SS6060210SP	2	40	WP0480856SP	14	52
NM6080721SE	26	16	SS6080320SP	2	3	WP0501016SD	20	10
NM6160511SE	22	18	SS6090560TP	12	20	WP0702026SP	14	67
NS6090310SP	26	7	SS6090620TP	12	36	WP0871602SE	18	30
NS6680410SP	12	37	SS6090670TP	8	5	WP0871602SE	24	10
RC0150001KP	12	49	SS6090910SP	10	32	WP0871602SE	26	14
RC0150001KP	14	49	SS6110420TP	8	30	WP1612616SE	22	19
RC1850001KP	6	21	SS6110610TP	2	34	WS0510002KN	22	16
RE0500000K0	10	17	SS6111010TP	16	28	WS0861410KR	18	31
RE0500000K0	12	19	SS6121610SP	12	39	WS0861410KR	24	11
RE1000000K0	18	19	SS6121860SP	12	9	WS0861410KR	26	15
RO029180100	6	33	SS6151220SP	14	69	WS1643202KR	22	20
RO037180100	10	3	SS6661110SP	6	18	WZ1250300K0	14	68
RO044240100	6	14	SS6700710SH	18	8			
RO078190100	14	58	SS7080510TP	8	9			
RO092270200	12	14	SS7081310SP	20	24			
RO098240100	18	3	SS7090710SP	24	20			
RO195240100	16	2	SS7091110TP	10	34			
SD0490261SP	20	23	SS7110540SP	2	43			
SD0720331SP	10	13	SS7110740TP	14	48			
SD1000801SH	12	42	SS7111120SP	14	54			
SE4301041SR	16	21	SS7121410TP	12	51			
SK3412000SC	20	30	SS7121410TP	14	51			
SL4030851SF	16	18	SS7121610SP	12	41			
SM4051405SE	22	12	SS7620750SP	12	47			
SM6061610SC	22	6	SS7681650TP	6	15			
SM8061010TP	14	63	SS8090670SP	2	28			
SM8061050TP	14	62	SS8110410TP	8	37			
SM8063012TR	18	12	SS8110510SP	20	25			
SM9061203SE	18	25	SS8150710TP	2	29			
SM9062563TR	18	17	SS8150710TP	12	26			
SM9082023SE	18	29	SS8151150TP	6	2			
SM9082023SE	24	3	SS8151550SP	6	29			
SM9082023SE	26	13	SS8660610TP	6	13			
SS2110920TP	2	32	SS8660810TP	8	22			
SS4080620TP	12	31	SS8660810TP	10	31			
SS4090615SP	6	34	SS8681650TP	6	11			
SS4110515SP	20	19	SS9661120CP	14	66			