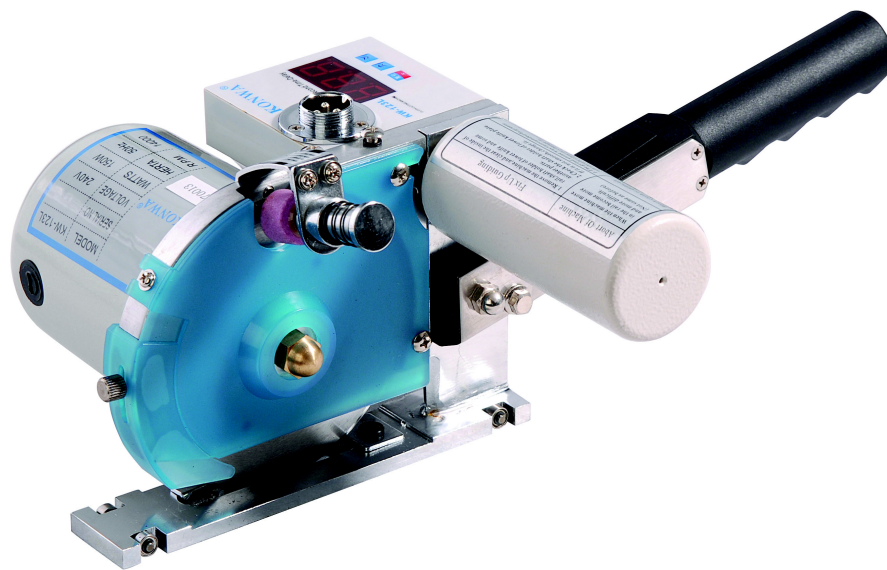


KONWA®

KW-123L END CUTTER



INSTRUCTION MANUAL & PARTS LIST

INSTRUCTIONS

Before using this cutter, please read all the instructions carefully.

A. ASSEMBLY

1. Please assemble the cutter based on the pictures provided.
2. Choose the right power supply and use the socket with earth-wire for safety.
3. Please make sure the rail inside is cleaned when first operate the cutter.

B. REPLACING THE BLADE AND CARBON BRUSH

1. Blade : Blade must be replaced when it wears to 3-4mm. Be sure the front face of the knife when re-setting the knife. Knife that having words must be facing in front.
2. Carbon Brush : When the motor is not running well, should stop and check the carbon brush. Carbon brush should be replaced when it wears to 5-6mm.

C. SERVICING

Grinding Wheel : To keep the stoning effective, grinding wheel must be removed or changed when it is too much greasy dirt.

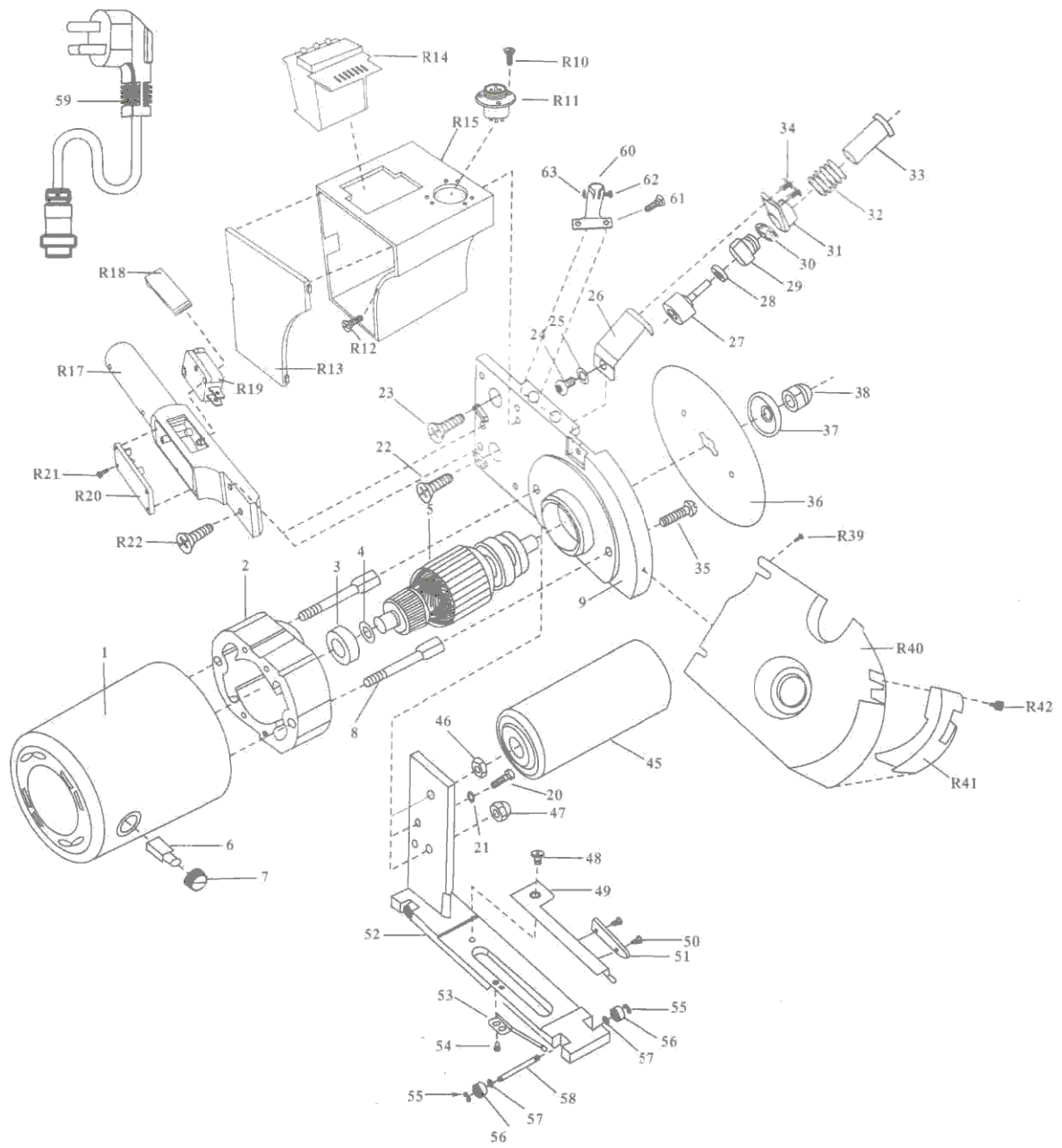
After long time operation, should clear the rail inside and the lower knife of the cutter to keep the cutter run smoothly.

D. CAUTIONS

1. When the cutter is running, please make sure that there is nothing put on the rail or track of the cutter (except the cloth should be cut in the correct place).
2. Should adjust the height of the safe guard of the cutter according to the height of the cloth.
3. Before servicing and repairing the cutter, please make sure the power is off.
4. Connect earth wire for safety.
5. The operator should keep their palm dry.

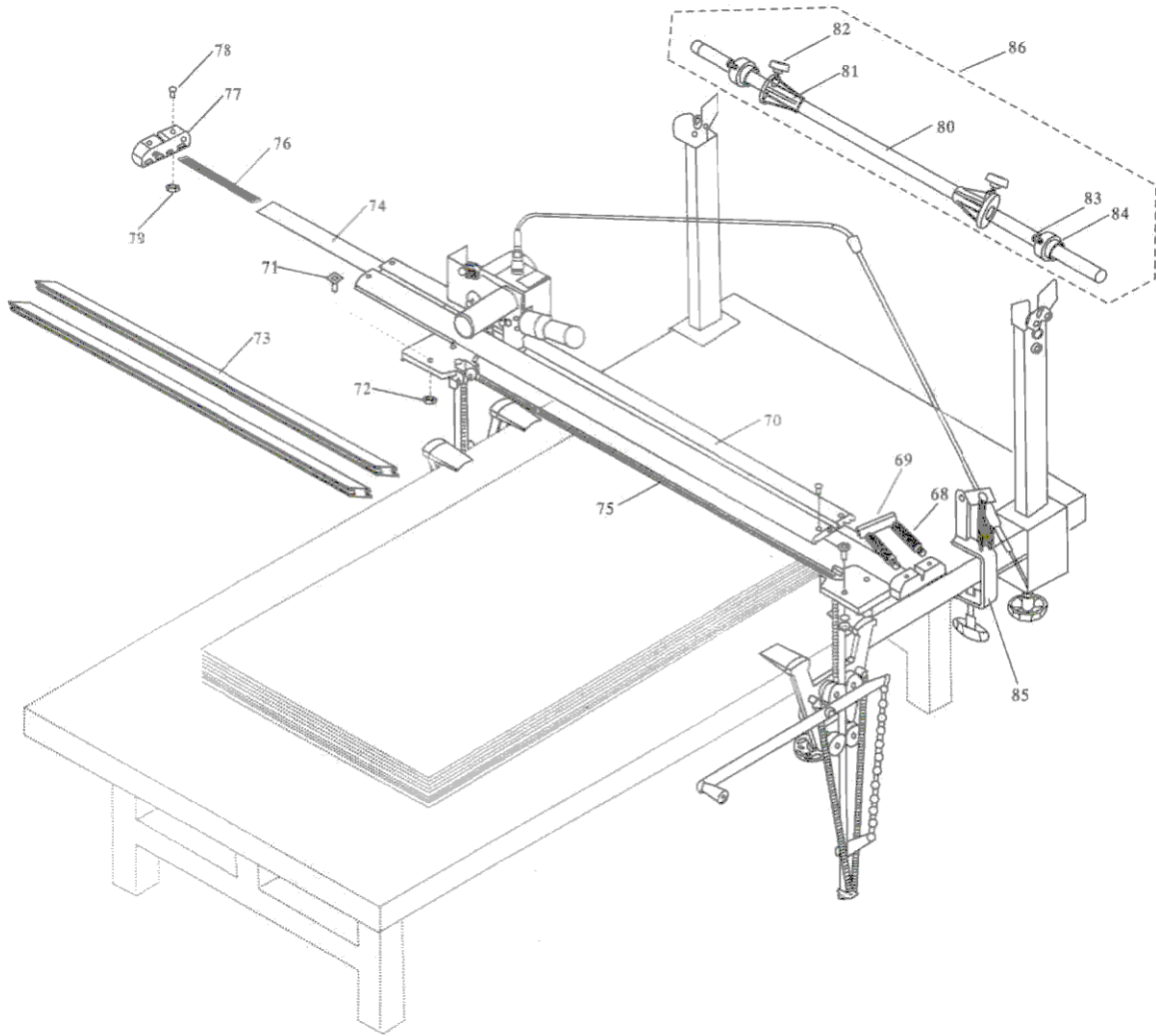
SPECIFICATIONS

Side of blade	: 108mm
Shape of the blade	: Round
Electric pressure	: Single phase, 240V, 50Hz
Revolving speed of the knife	: 14000r.p.m.
Output	: 123W



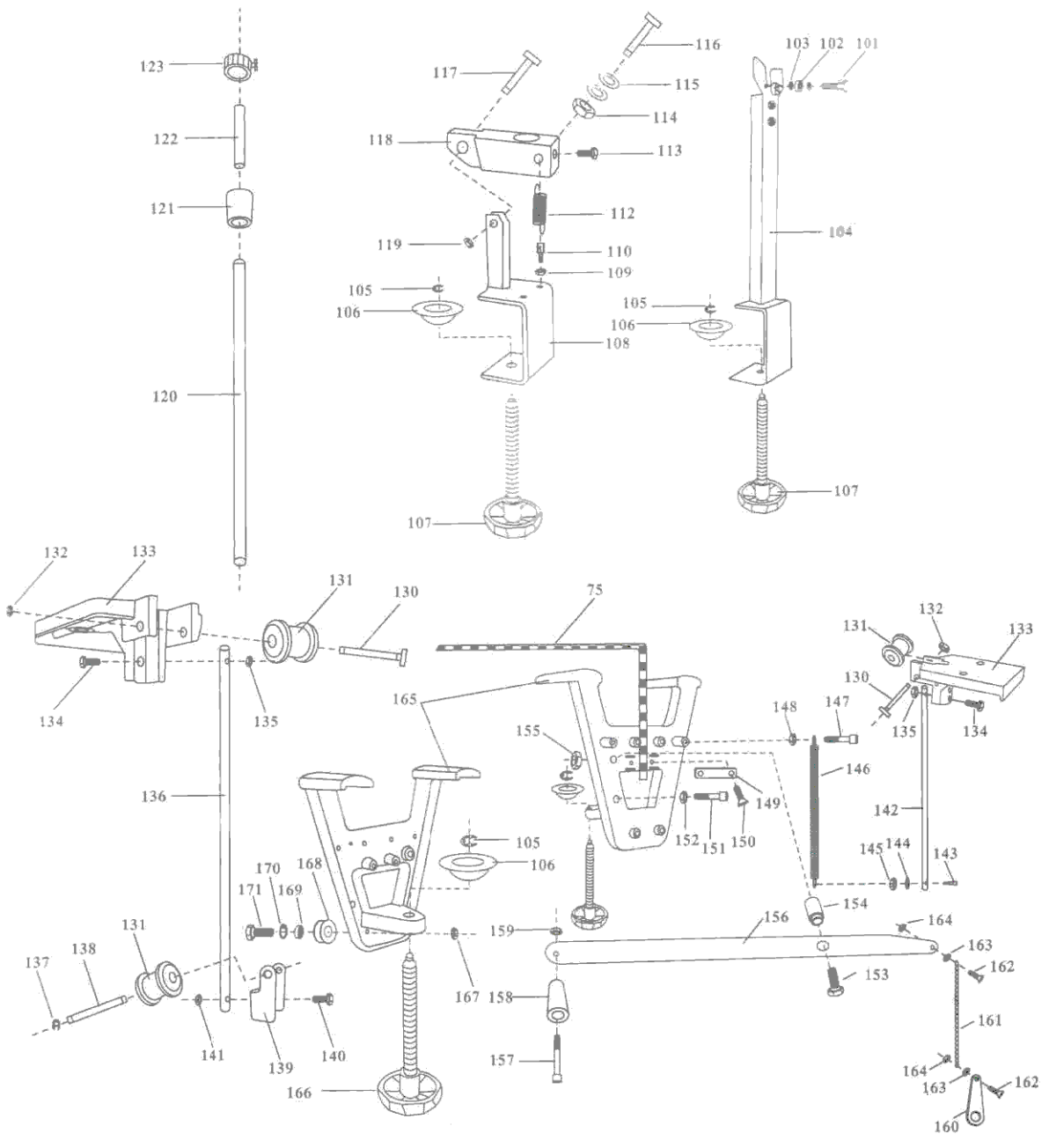
Part No.	Description
1	Motor Housing
2	Stator
3	Bearing
4	Collar
5	Rotor Assembly
6	Carbon Brush
7	Cap for Carbon Brush
8	Screw for Stator
9	Front Cover for Motor
R10	Screw
R11	Socket
R12	Screw
R13	Terminal Box Cover
R14	Counter
R15	Terminal Box
R17	Handle
R18	Switch Cover
R19	Switch
R20	Switch Box Cover
R21	Screw
R22	Screw
23	Screw
24	Screw
25	Washer
26	Grind Wheel Base
27	Grind Wheel
28	Bearing
29	Copper Collar
30	Collar
31	Grind Wheel Front Base

Part No.	Description
32	Spring
33	Grind Button
34	Screw
35	Screw
36	Blade
37	Washer
38	Nut
R39	Screw
R40	Face plate
R41	Safe Guard
R42	Screw
45	Balance Block
46	Nut
47	Sphericity Nut
48	Screw
49	Lower Knife Base
50	Screw
51	Lower Knife
52	Base plate
53	Spring
54	Screw
55	Collar
56	Bearing
57	Washer
58	Shaft
59	Plug
60	Cord Clamp
61	Fix Screw
62	Clamp Screw
63	Clamp Nut



Part No.	Description
68	Spring
69	Spring Protector
70	Orbit
71	Screw
72	Nut
73	Rubber Press
74	Inner Plate in the Orbit
75	Belt
76	Return Spring
77	Plastic Stopper

Part No.	Description
78	Screw
79	Nut
80	Clothing Winder Holder
81	Stopper
82	Screw Value
83	Screw
84	Position Sleeve
85	Cord Holder Base
86	Cord Holder Assembly



Part No.	Description
101	Screw
102	Bearing
103	Washer
104	Base
105	Collar
106	Cap
107	Screw Value
108	Cord Holder Base
109	Nut
110	Spring Screw
112	Spring
113	Screw
114	Nut
115	Washer
116	Spring Pin
117	Shaft Pin
118	Move Plate
119	Collar
120	Steel Tube
121	Rubber Sleeve
122	Plastic Tube
123	Cord Clamp
130	Pin
131	Wheel
132	Nut
133	Orbit Holder
134	Screw
135	Nut
136	Lift Lever
137	Collar
138	Pin
139	Wheel Base

Part No.	Description
140	Screw
141	Nut
142	Lift Level
143	Screw Pin
144	Washer
145	Nut
146	Long Spring
147	Screw
148	Nut
149	Press Block
150	Screw
151	Position Screw
152	Nut
153	Screw Pin
154	Fix Sleeve
155	Nut
156	Lift Level
157	Screw Pin
158	Lift Handle
159	Nut
160	Lift Slider
161	Chain
162	Screw
163	Nut
164	Nut
165	Orbit Lift Base
166	Screw Value
167	Nut
168	Wheel
169	Bearing
170	Collar
171	Screw Pin

KONWA®

KONWA INDUSTRIAL SEWING MACHINE (M) SDN BHD (124740-M)

Head Office: Lot 11 & 13, Jalan 51/201, Off Jalan Tandang, Seksyen 51, 46050 Petaling Jaya,
Selangor Darul Ehsan, Malaysia.

Tel: +603-7788 1111

Fax: +603-7788 5555

E-mail: konwa@konwa.com.my URL: www.konwa.com.my