

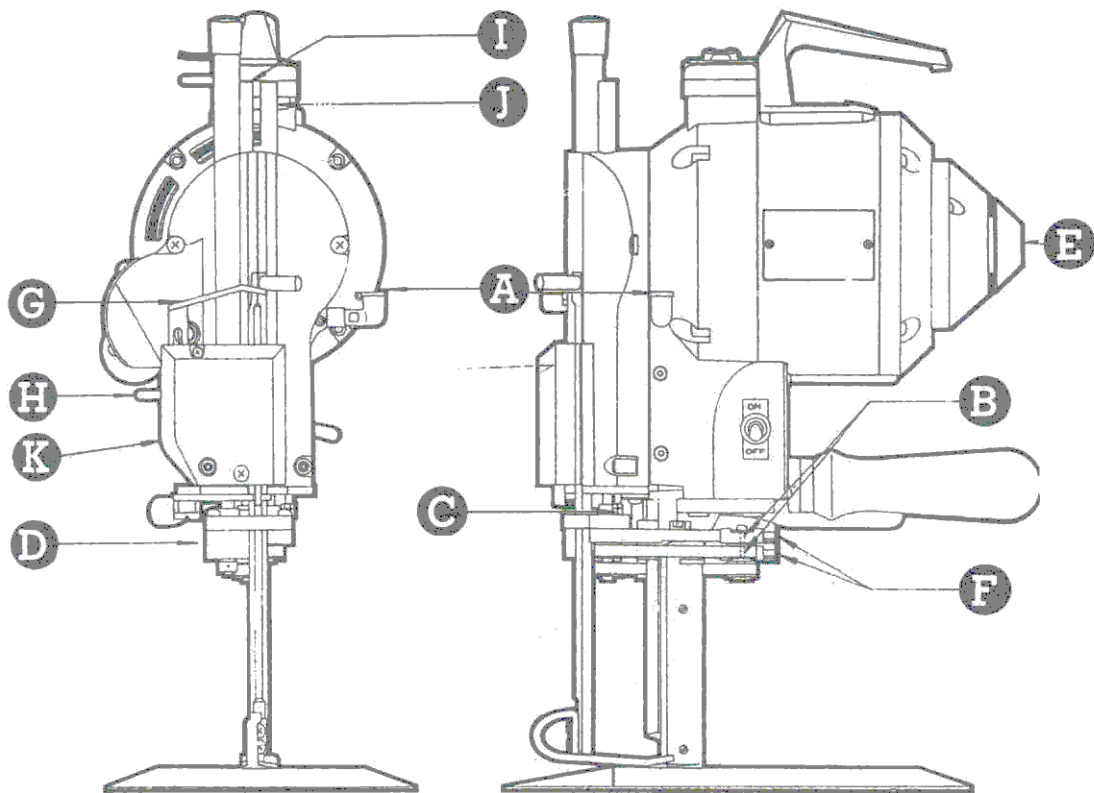
KONWA®

KW-125 (5") ELECTRIC CLOTH CUTTING MACHINE



INSTRUCTION MANUAL & PARTS LIST

OPERATION, LUBRICATION AND CARE



BEFORE STARTING

1. Fill oil cup A, be sure oil goes into smooth, if not, remove obstruction.
2. Push in E and turn the machine by hand for a few revolutions to make sure the oil is spread over contact surfaces.
3. The sharpener must be always up in locked position when starting.

BE CAREFUL

1. Keep the machine in warm place in cold weather.
2. Repeat short on and off before permitting the machine to run continuously for preventing excessive friction between contact surface.
3. Do not use too much oil. Do not use sewing machine oil. Use at least good grade of No. 30 motor oil.

LUBRICATION

EVERY 2 HOURS DAILY	ONCE A WEEK	ONCE A MONTH
1. Fill oil tank A (no need to oil at connecting rod bearing)	One drop oil to :- 1. Tubes-I and J 2. Turn Knob-E 3. Pulley Shaft-C 4. Belt Pulleys-B	Remove D plug and insert grease tube. Give a pea-size amount to the opening.

SHARPENER OPERATION

1. Put the machine away from piles of material.
2. Drop pressure foot by lever located next to operating handle.
3. Press lever G downward firm but not too quick.

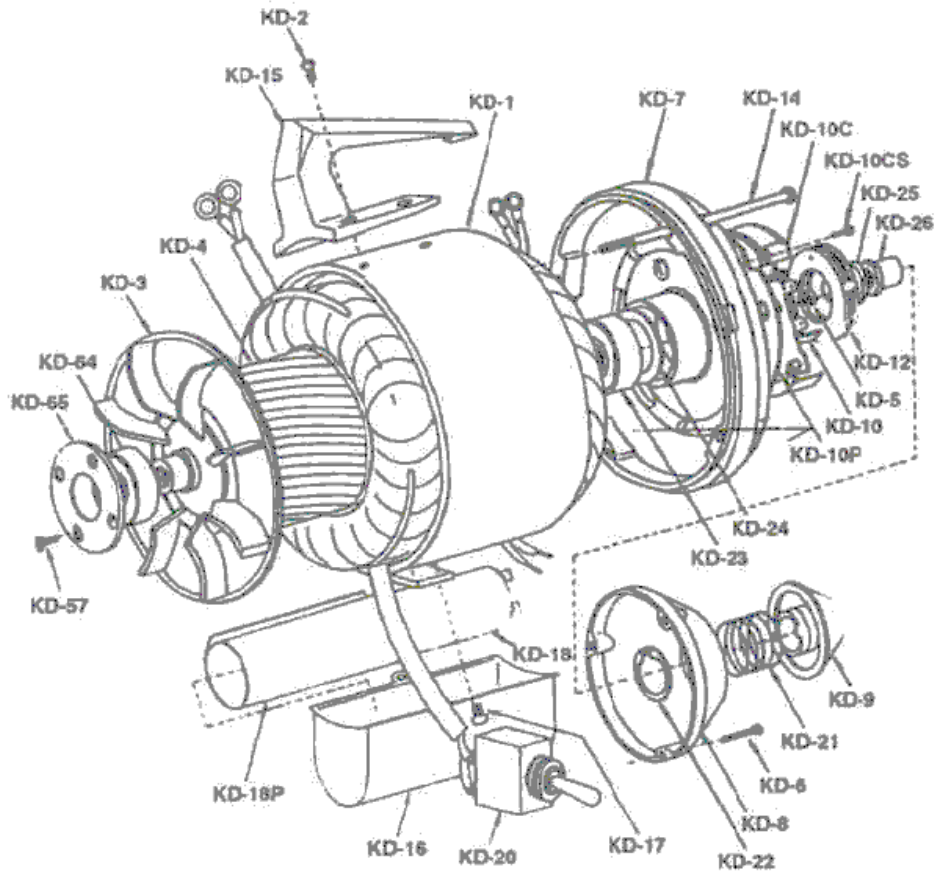
BE CAREFUL

1. Do not operate sharpener without knife in machine.
2. Do not operate sharpener with cutting material laid in machine.
3. Do not shut off motor while sharpener is in motion.
4. If lever G is locked in halfway by too quick operation, lift lever H to unlock and start again.

CARE

1. Blow lint out of motor and sharpener by blower or something alike twice a week.
2. Lint around screw mechanism of sharpener inside cover K must be cleaned once a week.
3. Clean the knife slide by slot cleaner once a day.
4. Remove lint from rollers in base plate. To prevent undue accumulation of lint, do not oil plate rollers. If rollers stick, remove from plate and wash in cleaning solvent.

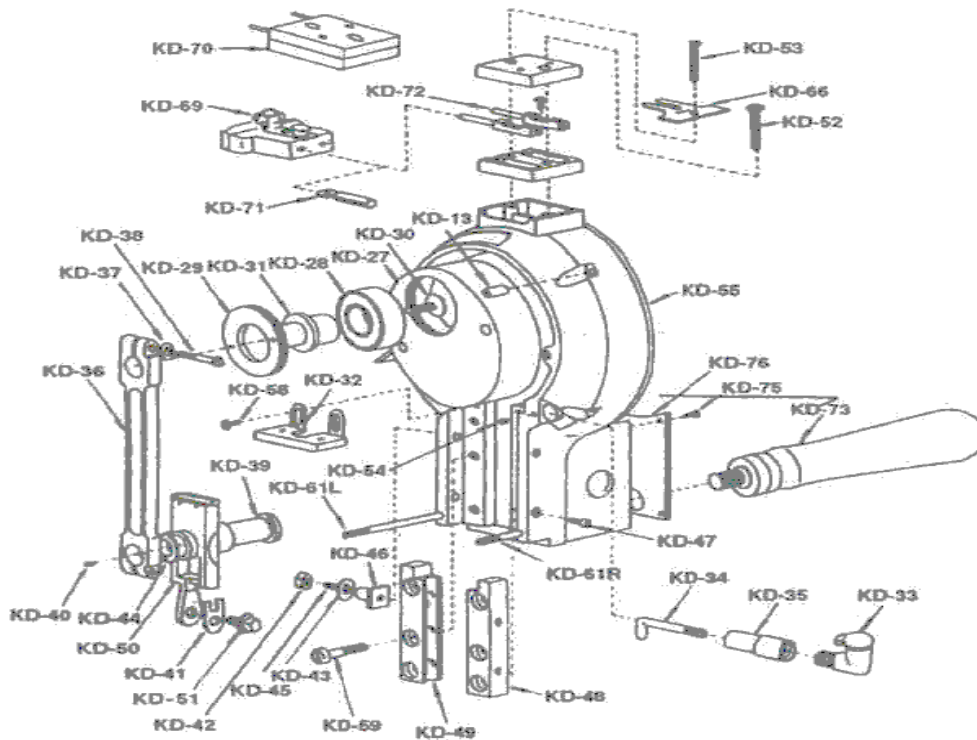
MOTOR & HOUSING MECHANISM



Part No.	Description
KD-1	Capacitor-Stator
KD-2	Carrying Handle Screws
KD-3	Rotor Fan
KD-4	Rotor with Shaft
KD-5	Cut-Out Switch to Bearing Screw
KD-6	Dust Cap Screw
KD-7	Rear Bearing Housing
KD-8	Dust Cap
KD-9	Turning Knob
KD-10	Cut-Out Switch
KD-10P	Insulated Plate
KD-10C	Insulated Cover
KD-10CS	Set Screw for Insulated Cover
KD-12	Automatic Cut-Out
KD-14	Front to Rear Bearing Screw

Part No.	Description
KD-15	Carrying Handle
KD-16	Capacitor Cover
KD-17	Screw for Capacitor Cover
KD-18	Capacitor
KD-18P	Paper
KD-20	Switch
KD-21	Clutch Spring
KD-22	Retaining Ring
KD-23	Rear Ball Bearing
KD-24	Rear Ball Bearing Spring Washer
KD-25	Clutch Nut
KD-26	Shaft Lock Nut
KD-57	Front Ball Bearing Retainer Screw
KD-64	Front Ball Bearing
KD-65	Front Ball Bearing Retainer

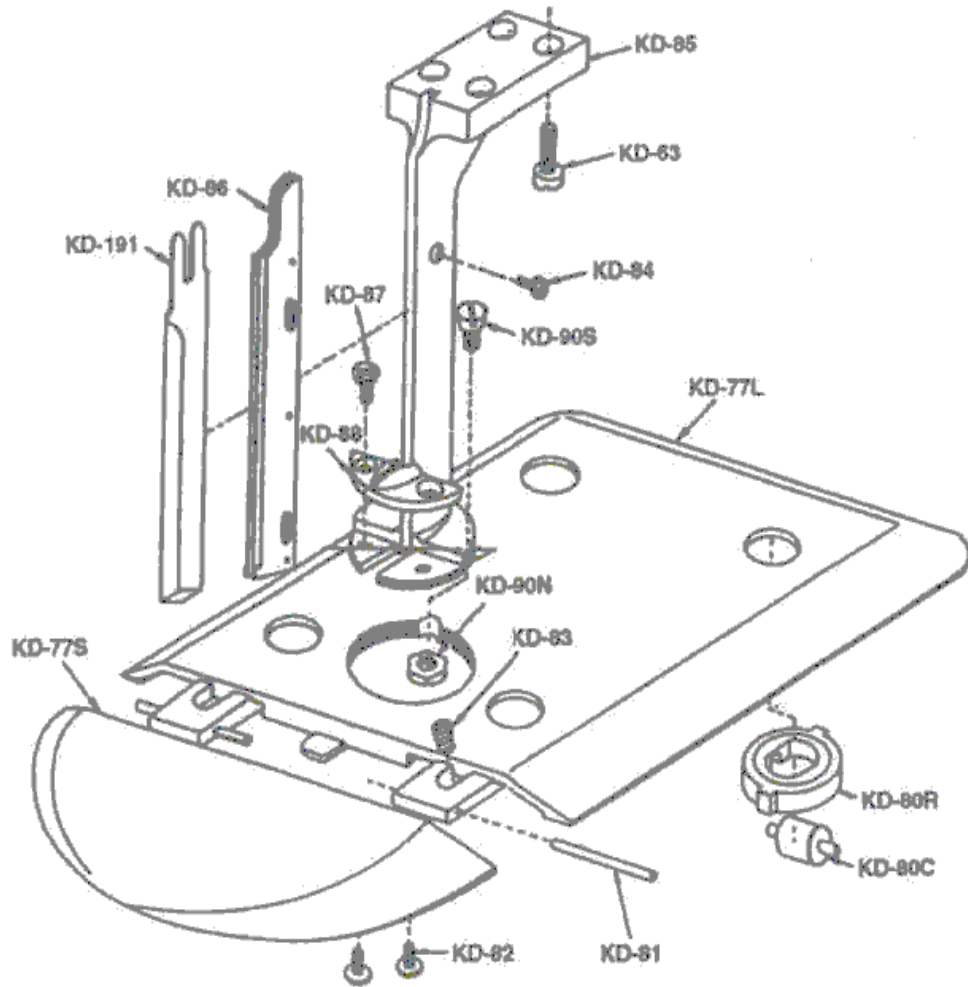
FRONT COVER MECHANISM



Part No.	Description
KD-13	Front to Rear Bearing Nut
KD-27	Crank
KD-28	Crank Ball Bearing
KD-29	Crank Ball bearing Lock Nut
KD-30	Screw for Big Shaft
KD-31	Shaft for Ball Bearing
KD-32	Oil Pad Holder
KD-33	Oil Cup
KD-34	Oil Tube for Wrist Pin (Copper)
KD-35	Oil Tube for Wrist Pin
KD-36	Connecting Rod
KD-37	Shake Proof Washer
KD-38	Connecting Rod Clamp Screw
KD-39	Wrist Pin
KD-40	Wrist Pin Plug
KD-41	Knife Lock Washer
KD-42	Nut for Guide Screw
KD-43	Guide Washer
KD-44	Connecting Rod Washer
KD-45	Guide Adjusting Screw
KD-46	Guide Adjusting Nut

Part No.	Description
KD-47	Guide Lock Screw
KD-48	R. H. Guide
KD-49	L. H. Guide
KD-50	Cross Head
KD-51	Knife Lock Bolt
KD-52	Terminal Block Screw
KD-53	Ground Clip Screw
KD-54	Set Screw
KD-55	Front Bearing Housing
KD-58	Oil Pad Holder Screw
KD-59	Guide Hold Down Screw
KD-61L	Stud Lower L.H. Mounting (L)
KD-61R	Stud Lower L.H. Mounting (R)
KD-66	Ground Clip
KD-69	Attachment Plug (complete)
KD-70	Terminal Block (complete)
KD-71	Terminal Sleeve
KD-72	Terminal Contact with Pin
KD-73	Operating Handle
KD-75	Switch Cover Screw
KD-76	Switch Cover

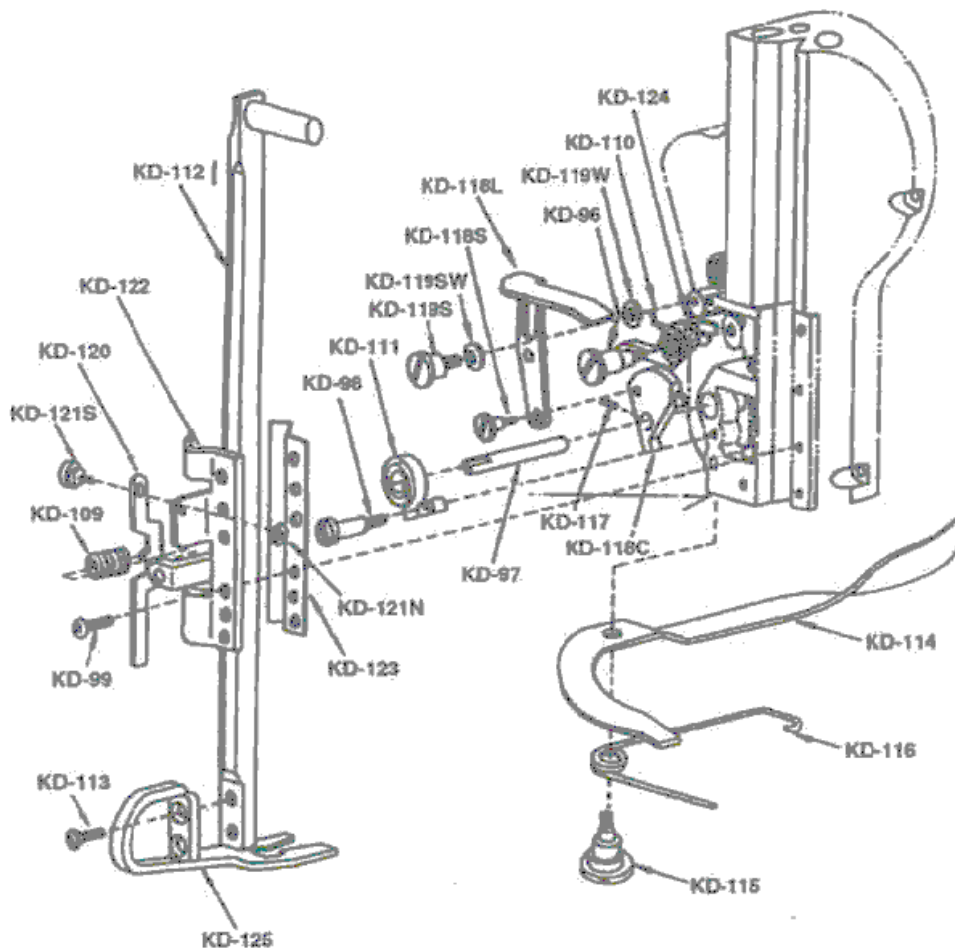
STAND & BASE PLATES



Part No.	Description
KD-63	Stand-to-Bearing Screw
KD-77S	Plate Wing
KD-77L	Plate
KD-80C	Roller
KD-80R	Rubber
KD-81	Hinge Pin Short
KD-82	Hinge Pin Clamp Screw
KD-83	Plate Wing Tension Spring

Part No.	Description
KD-84	Knife Slide Screw
KD-85	Stand
KD-86	Knife Slide
KD-87	Screw for Throat Plate
KD-88	Throat Plate
KD-90S	Plate Screw
KD-90N	Plate Nut
KD-191	Knife

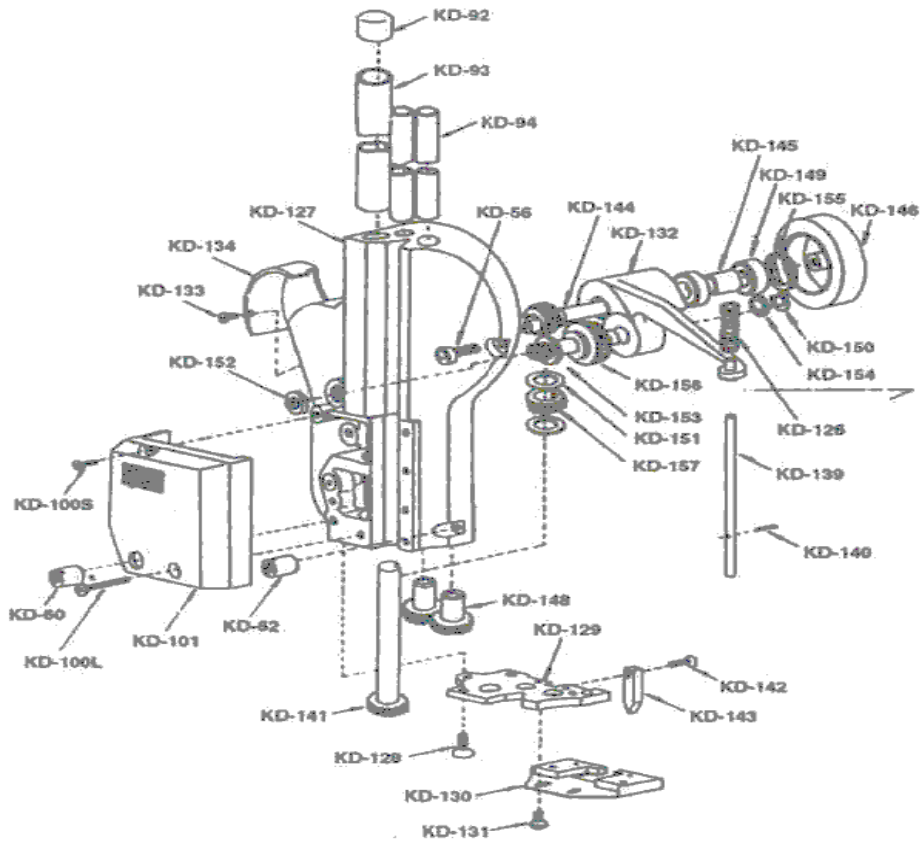
SHARPENER HOUSING MECHANISM



Part No.	Description
KD-96	Screw for Latch
KD-97	Shaft for Cam
KD-98	Cam Shaft Spring Screw
KD-99	Press Foot Lock Bracket Screw
KD-109	Spring for Pressure Foot Lock
KD-110	Spring for Latch
KD-111	Cam Spring
KD-112	Pressure Foot Rod
KD-113	Screw for Pressure Foot Shoe
KD-114	Pressure Foot Lever
KD-115	Pressure foot Lever Screw
KD-116	Spring for Pressure Foot Lever
KD-117	Set Screw for Cam

Part No.	Description
KD-118C	Cam
KD-118L	Release Lever
KD-118S	Screw for Cam
KD-119S	Lock Screw for Release Lever
KD-119S W	Spring Washer
KD-119W	Washer
KD-120	Lock (only) Pressure Foot
KD-121S	Screw for Pressure Foot
KD-121N	Nut for Pressure Foot Lock
KD-122	Pressure Foot Lock Bracket
KD-123	Slide for Pressure Foot Rod
KD-124	Latch for Cam
KD-125	Pressure Foot SHoe

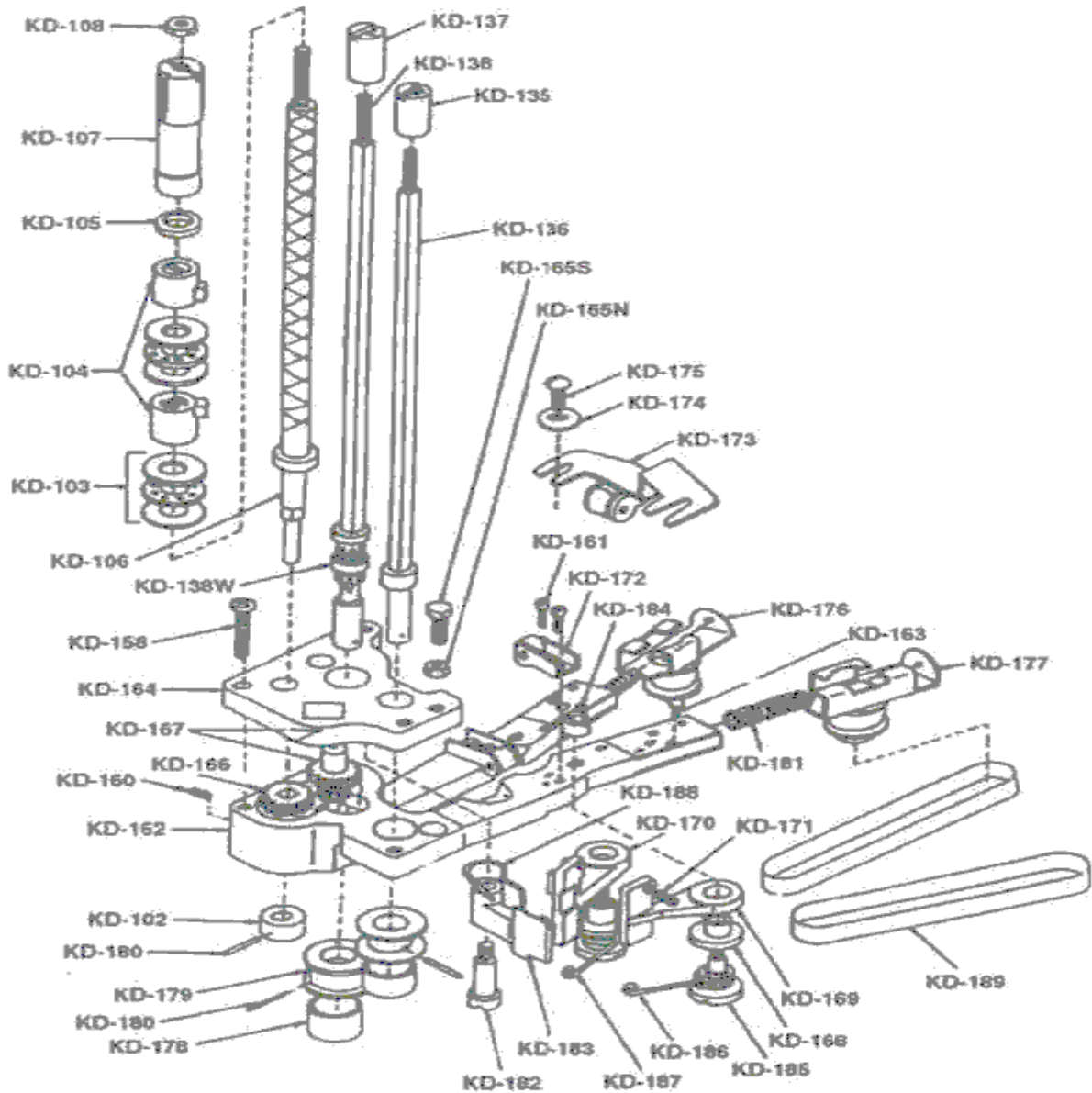
SHARPENER HOUSING MECHANISM



Part No.	Description
KD-56	Sharpener Hold Down Screw
KD-60	Lower L.H. Sharpener Hold Down Nut
KD-62	Stud, Guide Rod Bracket
KD-92	Cap for Tube
KD-93	Driving Shaft
KD-94	Right & Left Hand Follower
KD-100S	Screw for Cover (S)
KD-100L	Screw for Cover (L)
KD-101	Cover Over Cam
KD-126	Spring for Bell Crank
KD-127	Sharpener Housing
KD-128	Bottom Plate Screw
KD-129	Bottom Plate
KD-130	Oil Pad & Holder
KD-131	Screw for Oil Pad
KD-132	Bell Crank with Pin & Bushing
KD-133	Screw for Cover
KD-134	Cover for Driver

Part No.	Description
KD-139	Push Rod
KD-140	Roll Pin for Push Rod
KD-141	Driver Shaft with Gear
KD-142	Screw for Spreader Pin
KD-143	Spreader Pin
KD-144	Gear & Shaft
KD-145	Bearing for Gear
KD-146	Rubber Driver & Driver Pulley
KD-148	Spur Gear
KD-149	Ball Bearing for Crank
KD-150	Retaining Ring
KD-151	Thrust Washer for Spiral Gear
KD-152	Lock Nut for Crank Shaft
KD-153	Shaft for Crank
KD-154	Washer for Crank Shaft
KD-155	Lock Nut for Ball Bearing
KD-156	Lower Gear with Bushing
KD-157	L.H. Spiral Gear with Key

LOWER GEAR BRACKET MECHANISM



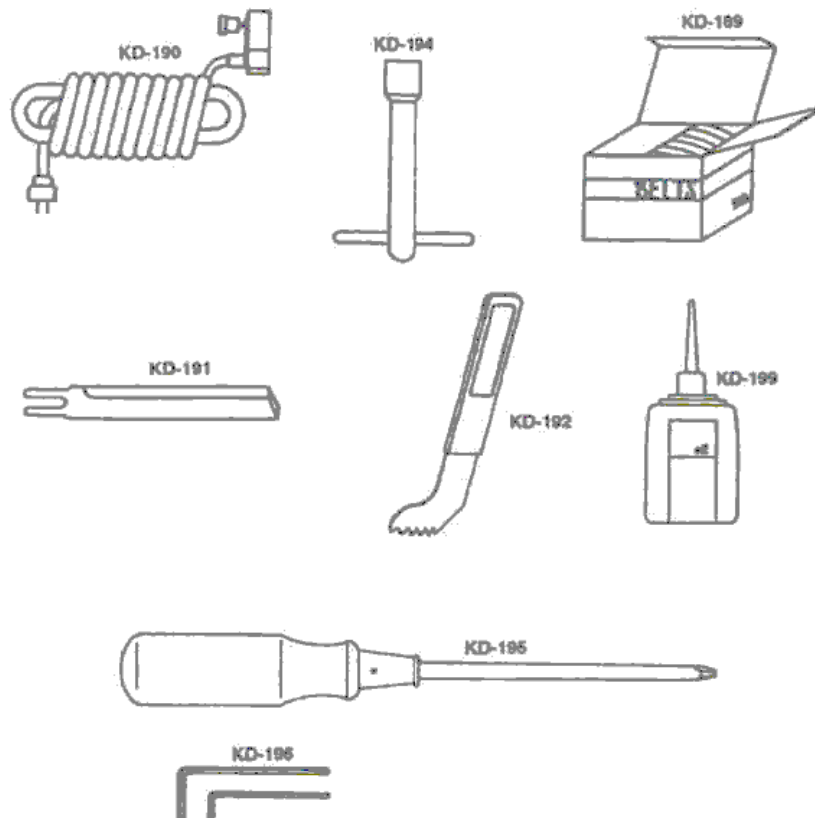
Part No.	Description
KD-102	Collar for Lower Screw Shaft
KD-103	Thrust Ball Bearing
KD-104	Nut for Screw Shaft L.H. & R.H.
KD-105	Washer for Screw Shaft L.H.
KD-106	Screw Shaft with Extension
KD-107	Spacer Tube
KD-108	Stop Nut for Screw Shaft
KD-135	Right Hand Follower Nut
KD-136	R.H. Square Shaft
KD-137	Left Hand Follower Shaft
KD-138	L.H. Square Shaft

Part No.	Description
KD-168	Bushing for Shoe
KD-169	R.H. Shoe
KD-170	L.H. Shoe
KD-171	Set Screw for Sharpener Shoe
KD-172	Stabilizer
KD-173	Guide Back of Stand
KD-174	Washer for Guide Back
KD-175	Screw for Guide Back
KD-176	L.H. Slide with Pulley
KD-177	R.H. Slide with Pulley
KD-178	Neoprene Band

KD-138W	L.H. Square Shaft Washer
KD-158	Screw for Gear Cover
KD-160	Grease Plug
KD-161	Screw for Stabilizer
KD-162	Lower Gear Bracket
KD-163	Screw for Slide Pulley
KD-164	Lower Gear Bracket Gear Cover
KD-165N	Adjusting Nut
KD-165S	Adjusting Screw
KD-166	Gear on Screw Shaft
KD-167	Intermediate Gear

KD-179	Front Pulley for Belts
KD-180	Roll Pin for Pulley
KD-181	Spring for Pulley Slide
KD-182	Screw for Clamping Arm
KD-183	Clamping Arm for Shoe
KD-184	Nut for Sharpener Shoe Screw
KD-185	Screw for Sharpener Shoe
KD-186	R.H. Sharpener Shoe Spring
KD-187	L.H. Sharpener Shoe Spring
KD-188	Spring for Arm
KD-189	Abrasive Belts

ACCESSORIES



Part No.	Description
KD-189	Abrasive Belts
KD-190	Electric Cord Complete
KD-191	Knife
KD-192	Slot Cleaner

Part No.	Description
KD-194	Knife Bolt Wrench
KD-195	Screw Driver
KD-196	Wrench for Shoe Set Screw
KD-199	Oiler

KONWA®

KONWA INDUSTRIAL SEWING MACHINE (M) SDN BHD (124740-M)

Head Office: Lot 11 & 13, Jalan 51/201, Off Jalan Tandang, Seksyen 51, 46050 Petaling Jaya,
Selangor Darul Ehsan, Malaysia.

Tel: +603-7788 1111

Fax: +603-7788 5555

E-mail: konwa@konwa.com.my URL: www.konwa.com.my