

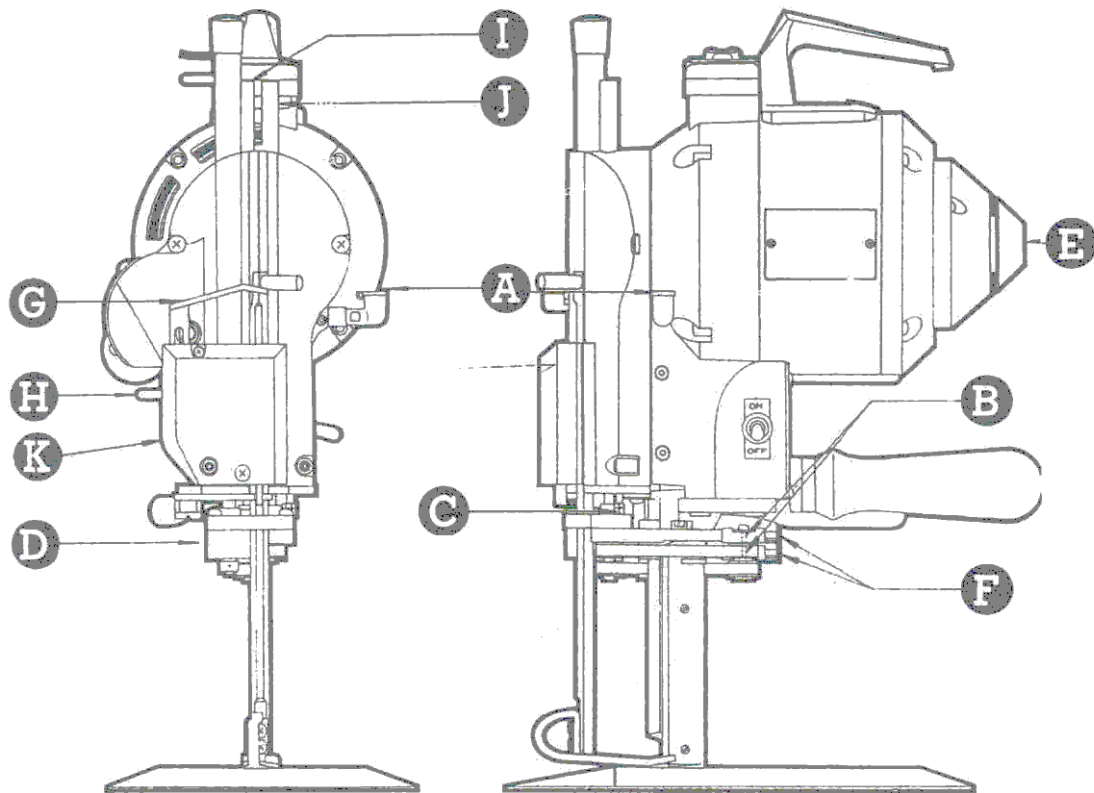
**KONWA®**

**KW-126 (8")  
ELECTRIC CLOTH  
CUTTING MACHINE**



**INSTRUCTION MANUAL  
&  
PARTS LIST**

## OPERATION, LUBRICATION AND CARE



### **BEFORE STARTING**

1. Fill oil cup A, lubricate a few drops at oil hole B. Push in E and turn the machine by hand for a few revolutions to make sure the oil is spread over contact surface.
2. Make sure sharpener is in locked position (driver pulley apart from the crank).
3. Check to see the motor switch is in off position.

### **BE CAREFUL**

1. Keep the machine in warm place in cold weather.
2. Repeat short on and off before permitting the machine to run continuously for preventing excessive friction between contact surface.
3. Do not use too much oil. Do not use sewing machine oil. Use at least good grade of No. 30 motor oil.

### **LUBRICATION**

EVERY 2 HOURS DAILY	ONCE A WEEK	ONCE A MONTH
1. Fill oil tank A (no need to oil at connecting rod bearing)	One drop oil to :- 1. Tubes-I and J 2. Turn Knob-E 3. Pulley Shaft-C 4. Belt Pulleys-B	Remove D plug and insert grease tube. Give a pea-size amount to the opening.

## **SHARPENER OPERATION**

1. Put the machine away from piles of material.
2. Drop pressure foot by lever located next to operating handle.
3. Press lever G downward firm but not too quick.

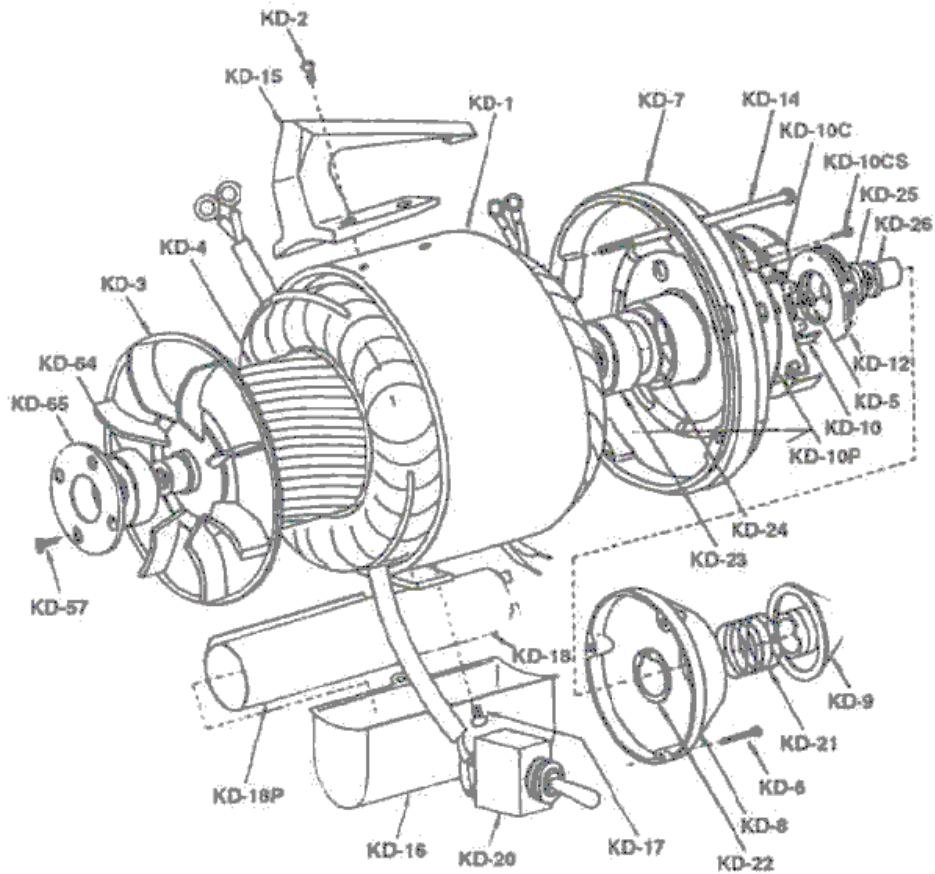
## **BE CAREFUL**

1. Do not operate sharpener without knife in machine.
2. Do not operate sharpener with cutting material laid in machine.
3. Do not shut off motor while sharpener is in motion.
4. If lever G is locked in halfway by too quick operation, lift lever H to unlock and start again.

## **CARE**

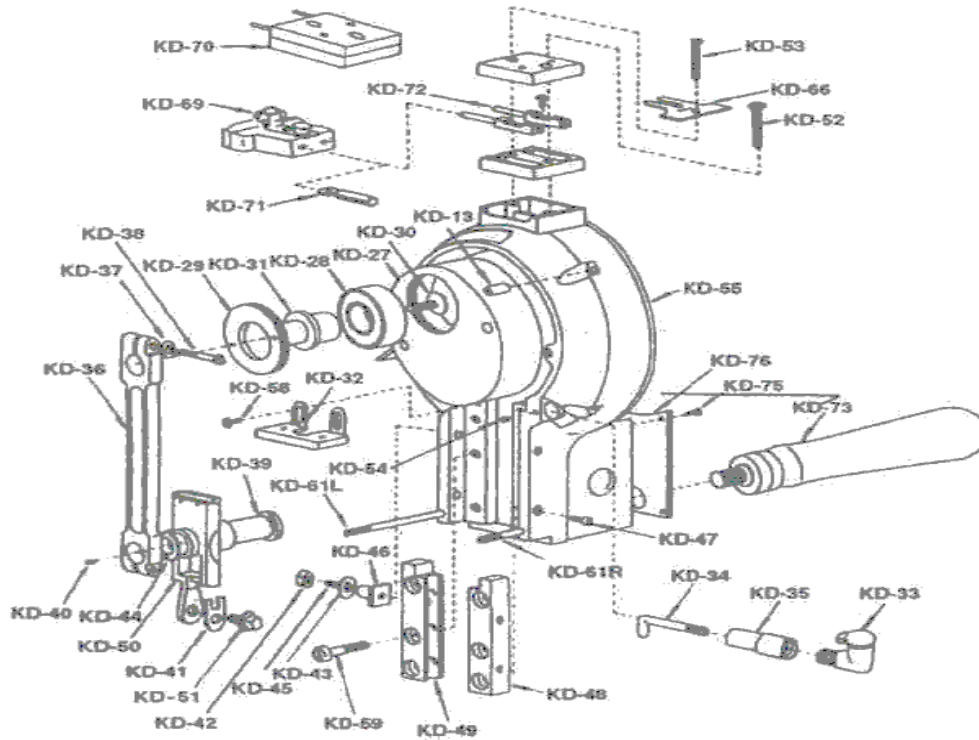
1. Blow lint out of motor and sharpener by blower or something alike twice a week.
2. Lint around screw mechanism of sharpener inside cover K must be cleaned once a week.
3. Clean the knife slide by slot cleaner once a day.
4. Remove lint from rollers in base plate. To prevent undue accumulation of lint, do not oil plate rollers. If rollers stick, remove from plate and wash in cleaning solvent.

## MOTOR & HOUSING MECHANISM



Part No.	Description	Part No.	Description
KD-1	Capacitor-Stator	KD-15	Carrying Handle
KD-2	Carrying Handle Screws	KD-16	Capacitor Cover
KD-3	Rotor Fan	KD-17	Screw for Capacitor Cover
KD-4	Rotor with Shaft	KD-18	Capacitor
KD-5	Cut-Out Switch to Bearing Screw	KD-18P	Paper
KD-6	Dust Cap Screw	KD-20	Switch
KD-7	Rear Bearing Housing	KD-21	Clutch Spring
KD-8	Dust Cap	KD-22	Retaining Ring
KD-9	Turning Knob	KD-23	Rear Ball Bearing
KD-10	Cut-Out Switch	KD-24	Rear Ball Bearing Spring Washer
KD-10P	Insulated Plate	KD-25	Clutch Nut
KD-10C	Insulated Cover	KD-26	Shaft Lock Nut
KD-10CS	Set Screw for Insulated Cover	KD-57	Front Ball Bearing Retainer Screw
KD-12	Automatic Cut-Out	KD-64	Front Ball Bearing
KD-14	Front to Rear Bearing Screw	KD-65	Front Ball Bearing Retainer

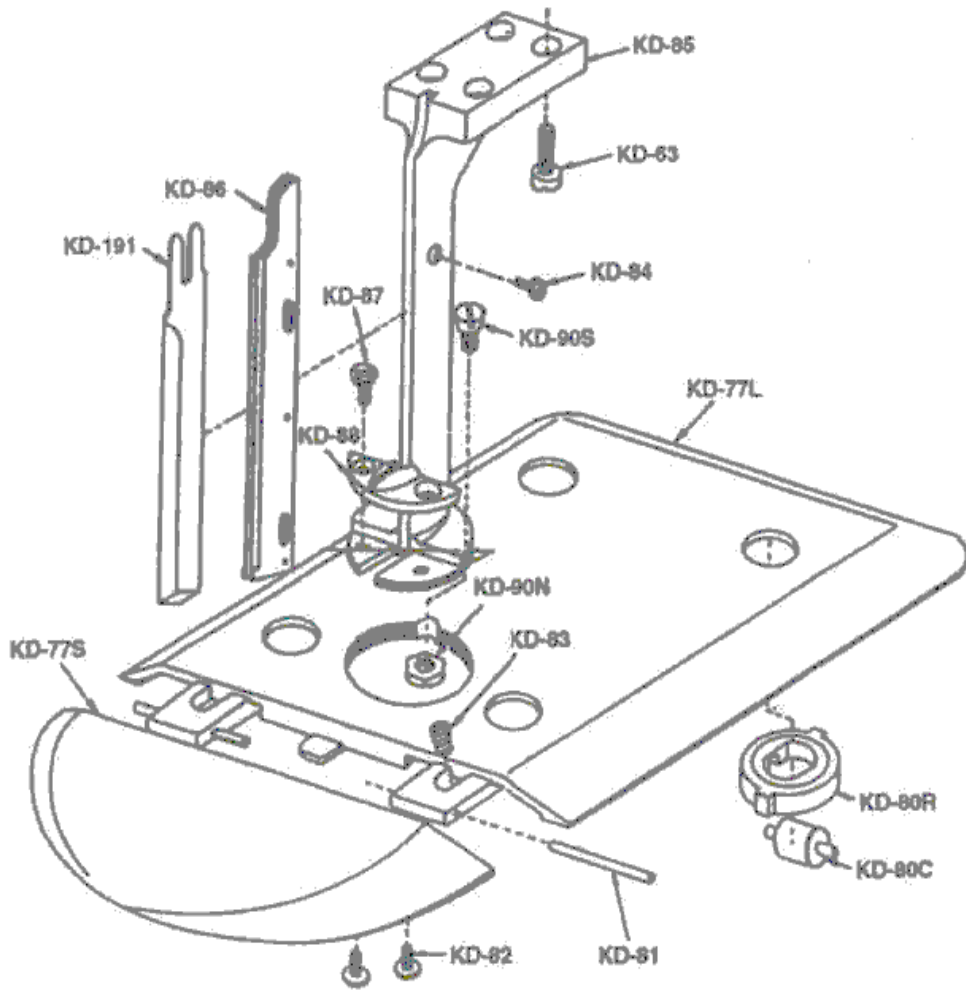
## FRONT COVER MECHANISM



Part No.	Description	Part No.	Description
KD-13	Front to Rear Bearing Nut	KD-47	Guide Lock Screw
KD-27	Crank	KD-48	R. H. Guide
KD-28	Crank Ball Bearing	KD-49	L. H. Guide
KD-29	Crank Ball bearing Lock Nut	KD-50	Cross Head
KD-30	Screw for Big Shaft	KD-51	Knife Lock Bolt
KD-31	Shaft for Ball Bearing	KD-52	Terminal Block Screw
KD-32	Oil Pad Holder	KD-53	Ground Clip Screw
KD-33	Oil Cup	KD-54	Set Screw
KD-34	Oil Tube for Wrist Pin (Copper)	KD-55	Front Bearing Housing
KD-35	Oil Tube for Wrist Pin	KD-58	Oil Pad Holder Screw
KD-36	Connecting Rod	KD-59	Guide Hold Down Screw
KD-37	Shake Proof Washer	KD-61L	Stud Lower L.H. Mounting (L)
KD-38	Connecting Rod Clamp Screw	KD-61R	Stud Lower L.H. Mounting (R)
KD-39	Wrist Pin	KD-66	Ground Clip
KD-40	Wrist Pin Plug	KD-69	Attachment Plug (complete)
KD-41	Knife Lock Washer	KD-70	Terminal Block (complete)
KD-42	Nut for Guide Screw	KD-71	Terminal Sleeve
KD-43	Guide Washer	KD-72	Terminal Contact with Pin
KD-44	Connecting Rod Washer	KD-73	Operating Handle
KD-45	Guide Adjusting Screw	KD-75	Switch Cover Screw

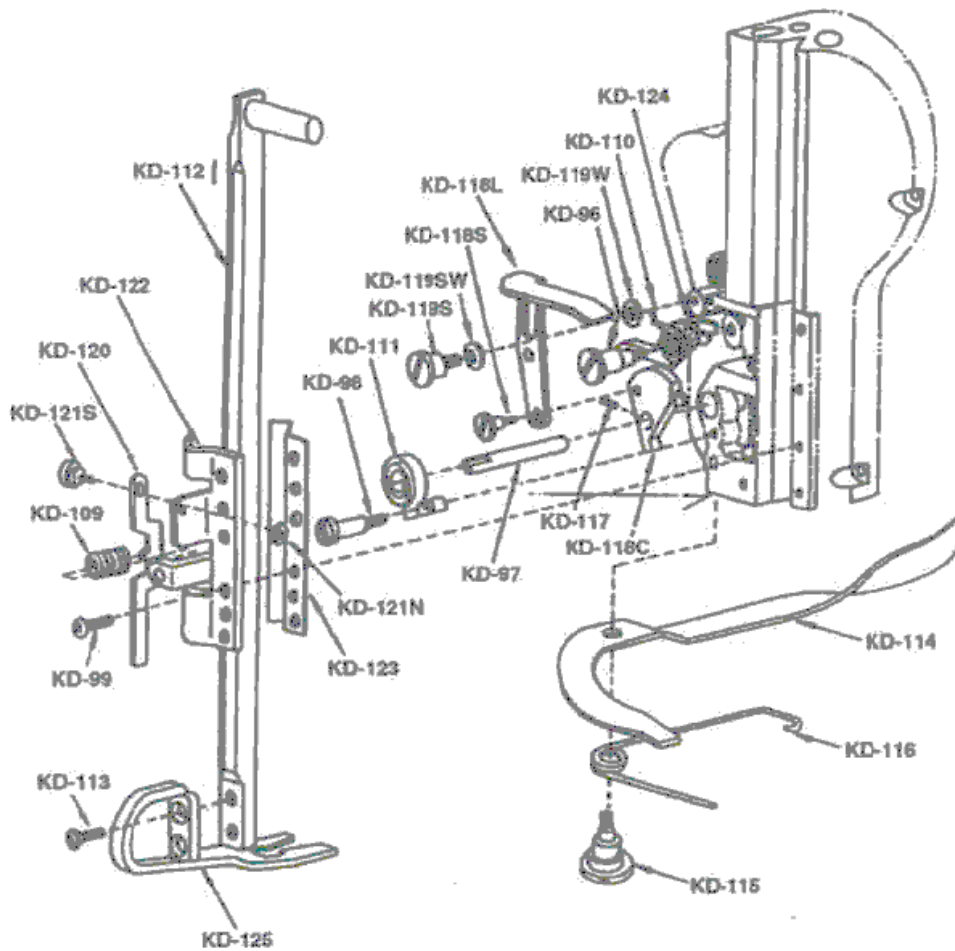
KD-46	Guide Adjusting Nut	KD-76	Switch Cover
-------	---------------------	-------	--------------

**STAND & BASE PLATES**



Part No.	Description	Part No.	Description
KD-63	Stand-to-Bearing Screw	KD-84	Knife Slide Screw
KD-77S	Plate Wing	KD-85	Stand
KD-77L	Plate	KD-86	Knife Slide
KD-80C	Roller	KD-87	Screw for Throat Plate
KD-80R	Rubber	KD-88	Throat Plate
KD-81	Hinge Pin Short	KD-90S	Plate Screw
KD-82	Hinge Pin Clamp Screw	KD-90N	Plate Nut
KD-83	Plate Wing Tension Spring	KD-191	Knife

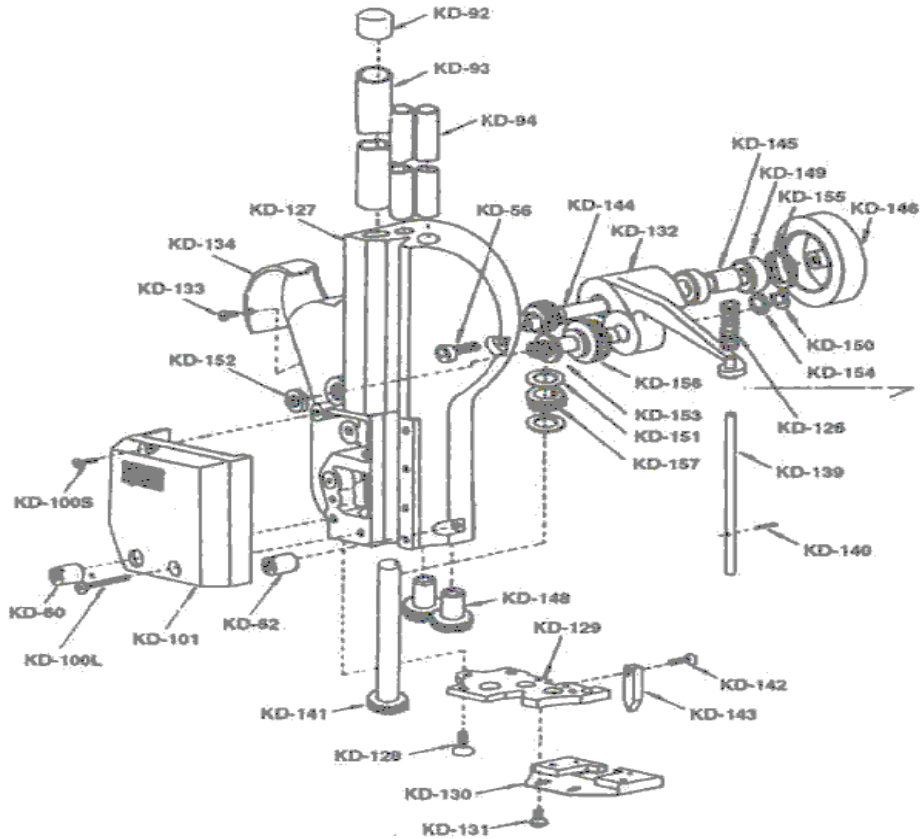
## SHARPENER HOUSING MECHANISM



Part No.	Description	Part No.	Description
KD-96	Screw for Latch	KD-118C	Cam
KD-97	Shaft for Cam	KD-118L	Release Lever
KD-98	Cam Shaft Spring Screw	KD-118S	Screw for Cam
KD-99	Press Foot Lock Bracket Screw	KD-119S	Lock Screw for Release Lever
KD-109	Spring for Pressure Foot Lock	KD-119SW	Spring Washer
KD-110	Spring for Latch	KD-119W	Washer
KD-111	Cam Spring	KD-120	Lock (only) Pressure Foot
KD-112	Pressure Foot Rod	KD-121S	Screw for Pressure Foot
KD-113	Screw for Pressure Foot Shoe	KD-121N	Nut for Pressure Foot Lock
KD-114	Pressure Foot Lever	KD-122	Pressure Foot Lock Bracket
KD-115	Pressure foot Lever Screw	KD-123	Slide for Pressure Foot Rod
KD-116	Spring for Pressure Foot Lever	KD-124	Latch for Cam

KD-117	Set Screw for Cam	KD-125	Pressure Foot SHoe
--------	-------------------	--------	--------------------

**SHARPENER HOUSING MECHANISM**

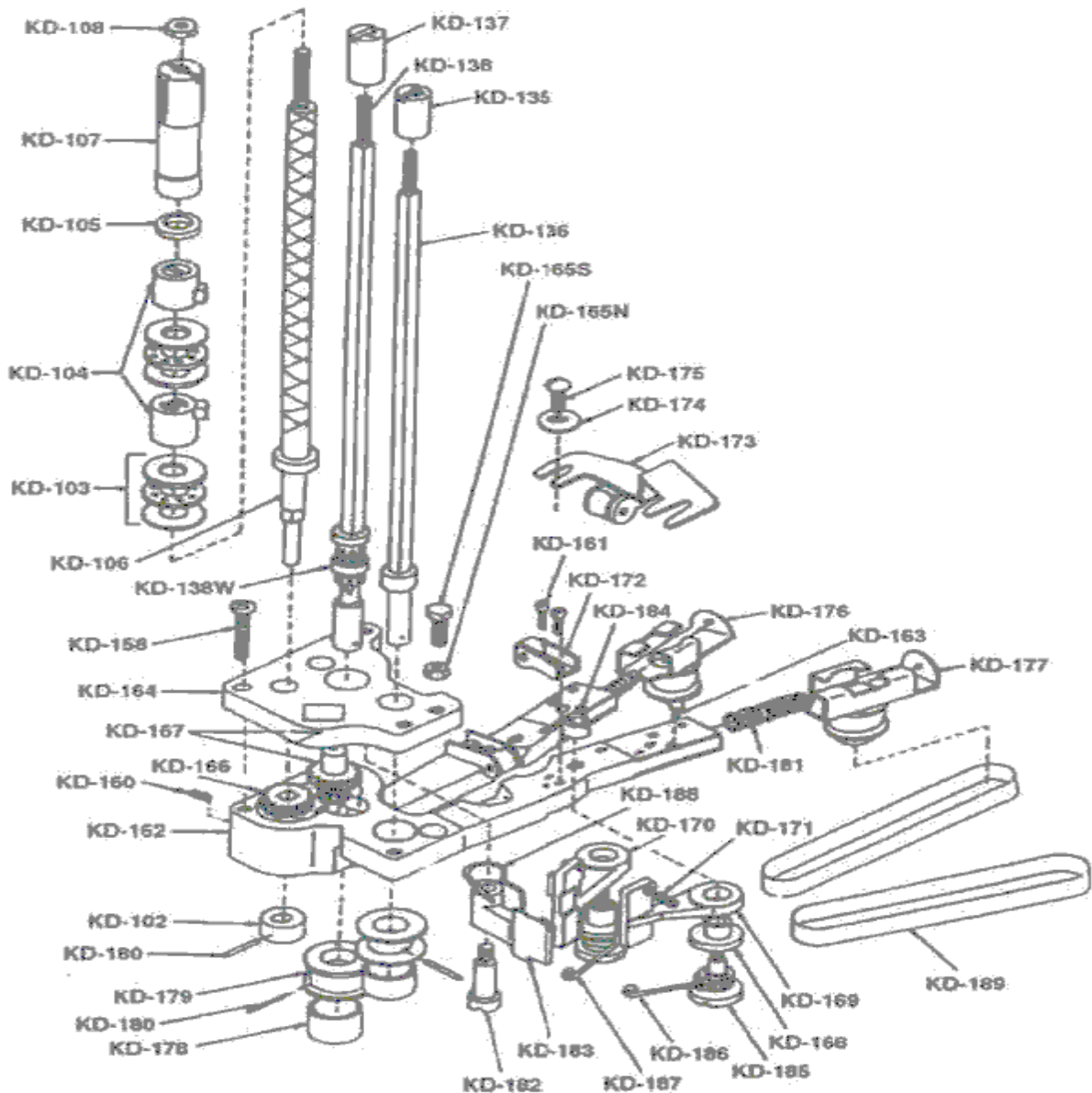


Part No.	Description	Part No.	Description
KD-56	Sharpener Hold Down Screw	KD-139	Push Rod
KD-60	Lower L.H. Sharpener Hold Down Nut	KD-140	Roll Pin for Push Rod
KD-62	Stud, Guide Rod Bracket	KD-141	Driver Shaft with Gear
KD-92	Cap for Tube	KD-142	Screw for Spreader Pin
KD-93	Driving Shaft	KD-143	Spreader Pin
KD-94	Right & Left Hand Follower	KD-144	Gear & Shaft
KD-100S	Screw for Cover (S)	KD-145	Bearing for Gear
KD-100L	Screw for Cover (L)	KD-146	Rubber Driver & Driver Pulley
KD-101	Cover Over Cam	KD-148	Spur Gear
KD-126	Spring for Bell Crank	KD-149	Ball Bearing for Crank
KD-127	Sharpener Housing	KD-150	Retaining Ring
KD-128	Bottom Plate Screw	KD-151	Thrust Washer for Spiral Gear
KD-129	Bottom Plate	KD-152	Lock Nut for Crank Shaft
KD-130	Oil Pad & Holder	KD-153	Shaft for Crank
KD-131	Screw for Oil Pad	KD-154	Washer for Crank Shaft



KD-132	Bell Crank with Pin & Bushing	KD-155	Lock Nut for Ball Bearing
KD-133	Screw for Cover	KD-156	Lower Gear with Bushing
KD-134	Cover for Driver	KD-157	L.H. Spiral Gear with Key

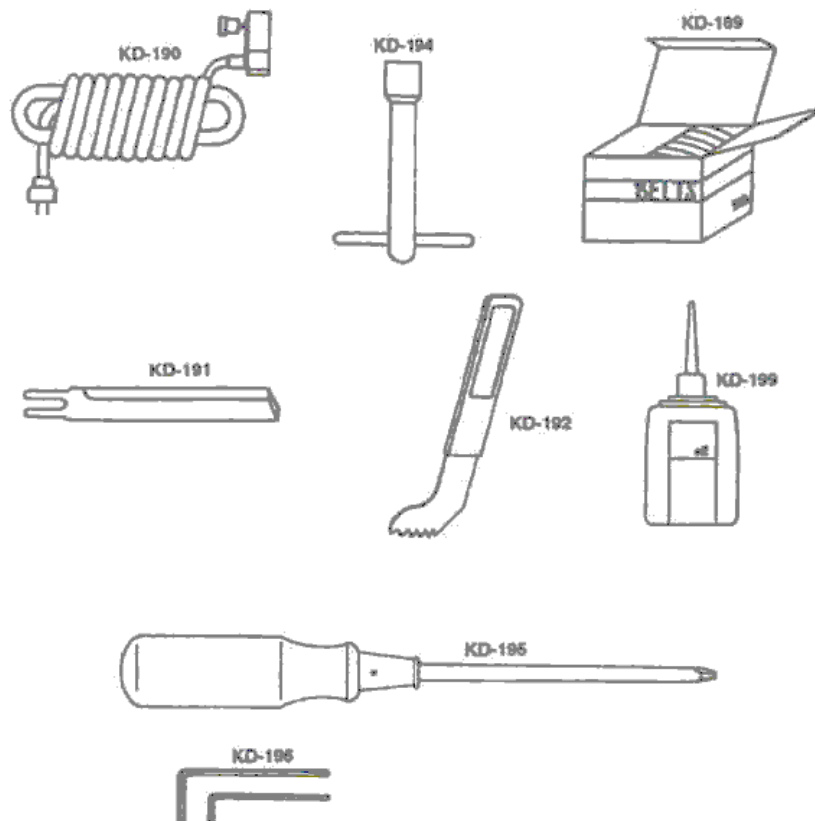
### **LOWER GEAR BRACKET MECHANISM**



<b>Part No.</b>	<b>Description</b>	<b>Part No.</b>	<b>Description</b>
KD-102	Collar for Lower Screw Shaft	KD-168	Bushing for Shoe
KD-103	Thrust Ball Bearing	KD-169	R.H. Shoe
KD-104	Nut for Screw Shaft L.H. & R.H.	KD-170	L.H. Shoe
KD-105	Washer for Screw Shaft L.H.	KD-171	Set Screw for Sharpener Shoe
KD-106	Screw Shaft with Extension	KD-172	Stabilizer
KD-107	Spacer Tube	KD-173	Guide Back of Stand
KD-108	Stop Nut for Screw Shaft	KD-174	Washer for Guide Back
KD-135	Right Hand Follower Nut	KD-175	Screw for Guide Back

KD-136	R.H. Square Shaft	KD-176	L.H. Slide with Pulley
KD-137	Left Hand Follower Shaft	KD-177	R.H. Slide with Pulley
KD-138	L.H. Square Shaft	KD-178	Neoprene Band
KD-138W	L.H. Square Shaft Washer	KD-179	Front Pulley for Belts
KD-158	Screw for Gear Cover	KD-180	Roll Pin for Pulley
KD-160	Grease Plug	KD-181	Spring for Pulley Slide
KD-161	Screw for Stabilizer	KD-182	Screw for Clamping Arm
KD-162	Lower Gear Bracket	KD-183	Clamping Arm for Shoe
KD-163	Screw for Slide Pulley	KD-184	Nut for Sharpener Shoe Screw
KD-164	Lower Gear Bracket Gear Cover	KD-185	Screw for Sharpener Shoe
KD-165N	Adjusting Nut	KD-186	R.H. Sharpener Shoe Spring
KD-165S	Adjusting Screw	KD-187	L.H. Sharpener Shoe Spring
KD-166	Gear on Screw Shaft	KD-188	Spring for Arm
KD-167	Intermediate Gear	KD-189	Abrasive Belts

## **ACCESSORIES**



<b>Part No.</b>	<b>Description</b>	<b>Part No.</b>	<b>Description</b>
KD-189	Abrasive Belts	KD-194	Knife Bolt Wrench

KD-190	Electric Cord Complete		KD-195	Screw Driver
KD-191	Knife		KD-196	Wrench for Shoe Set Screw
KD-192	Slot Cleaner		KD-199	Oiler

**KONWA®**

**KONWA INDUSTRIAL SEWING MACHINE (M) SDN BHD** (124740-M)

Head Office: Lot 11 & 13, Jalan 51/201, Off Jalan Tandang, Seksyen 51, 46050 Petaling Jaya,  
Selangor Darul Ehsan, Malaysia.

Tel: +603-7788 1111 Fax: +603-7788 5555

E-mail: [konwa@konwa.com.my](mailto:konwa@konwa.com.my) URL: [www.konwa.com.my](http://www.konwa.com.my)