

KONWA®

KW-920 STEAM PRESS MACHINE C/W STAND




INSTRUCTION MANUAL & PARTS LIST

IMPORTANT SAFEGUARD



WARNING: To reduce the risk of fire, electrical shock or injury, the following basic safety precautions should always be followed when using an electrical appliance.

READ ALL INSTRUCTIONS BEFORE USING THIS STEAM PRESS

1. Do not leave the steam press unattended when plugged in or not in use.
2.  Close supervision is required when using this appliance near children, pets and plants. It produces steam that is hot and pressurized. Care must be taken to avoid burns or other injuries.
3. Always unplug electrical cord when steam press is not in use. Do not use it if electrical cord or outlet is damaged. Do not use it if it is not working properly or has been dropped, damaged or left outdoors. If such damage occur, return it to authorized dealer for repairs.
4. This steam press is an electrical appliance. Do not submerge it in water. Do not use electrical cords as a handle. Do not allow cord to be crimped by closing it in doors. Do not pull or stretch cord around sharp corners or edges. Be sure to keep electrical cord away from all heated surfaces.
5. Do not use this appliance with extension cords or electrical outlets that have inadequate current capacity. A three-prong outlet or a properly grounded adapter is necessary when using this appliance.
6. In order to unplug steam press, grasp plug and pull smoothly and firmly from outlet. Do not attempt to unplug it by pulling or tugging on cord.
7. Precaution when operating this appliance, as burn can occur from touching hot metal parts or from close proximity to steam.
8. Do not handle or use steam press while hands are wet or when not wearing shoes. To avoid falls and other injuries, be sure to dry any wet areas on floors and to stand away from damp surfaces while using this appliance.
9. This appliance is only mean to be used with recommended accessories. Other types of accessories are not to be used with this appliance. Doing so may cause injuries or damage to it.
10. Surfaces become hot during use. To avoid injuries, do not touch pressing plate or any other surface while using this appliance, do not lace arms or hands between pressing plate and ironing board while it is in operation.



WARNING: To reduce the risk of electrical shock, this appliance has a three-pronged plug. This plug will fit in a polarized wall outlet only one way. If the plug does not fit fully in the outlet, contact a licensed electrician to install a proper outlet. Do not attempt to modify the plug or defeat this safety feature.

11. When filling this appliance with distilled water, do not fill water reservoir over MAX (300ml) line.

12. Before filling this appliance with water, always take the following steps :

(a) Turn appliance off

(b) Unplug electrical cord

Failure to follow these steps may result in electrical shock and injury.

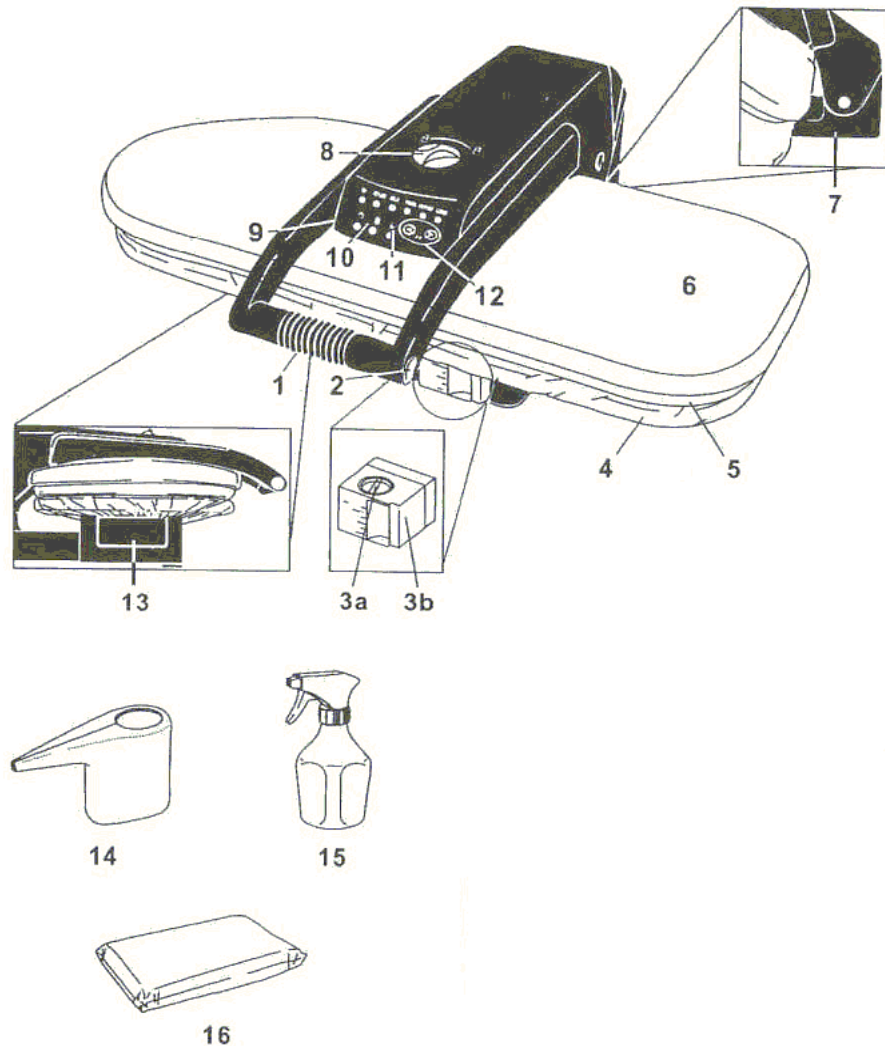
13. Only water should be used in this appliance. Other chemical agents will damage it and can cause injuries.

14. Do not operate units steam burst function if steam openings are blocked. Should this occur, shut it off and unplug.

15. Store this appliance in a cool, dry place. Always allow it to cool completely before storing.

PRODUCT INFORMATION

The following features and accessories are included with this steam press. Carefully inspect packaging material as some parts are shipped inside Styrofoam packaging.



UNIT FEATURES AND ACCESSORIES

1. Handle
2. Steam Burst Buttons
- 3a. Water Reservoir Cap
- 3b. Water Reservoir
4. Ironing Board
5. Pressing Plate
6. Pressing Plate Cover
7. On / Off Switch
8. Locking Knob
9. Power Indicator Light (Red)
10. Pressing Indicator Light (Green)
11. Steam Burst Ready Indicator Light (Yellow)
12. Temperature Control Buttons
13. Cord Storage Compartment
14. Measuring Cup
15. Spray Bottle
16. Pressing Cushion

- The **Handle (1)** is used to safely lift up and lower the Pressing Plate, and to carry this appliance.
- The **Steam Burst Buttons (2)** are located on either side of the Handle, and produce a powerful burst of steam when pressed.
- The **Water Reservoir Cap (3a)** covers the Water Reservoir fill hole and must be removed in order to fill the Water Reservoir with distilled water.
- The **Water Reservoir (3b)** is the tank in which distilled water is stored for use by this appliance. There must be water in the Water Reservoir in order for the unit's steam burst function to work correctly.
- The **Ironing Board (4)** is the padded surface onto which fabric is placed during pressing. The fabric cover is removable and can be washed.
- The **Pressing Plate (5)** is the temperature-controlled teflon surface that heats and presses fabric.
- The **Pressing Plate Cover (6)** is the durable cover that protects the Pressing Plate.
- The **On / Off Switch (7)** activates and deactivates the appliance.
- The **Locking Knob (8)** locks the Pressing Plate and Ironing Board together. This allows for carrying and storage of the appliance.
- The **Power Indicator Light (Red) (9)** illuminates when the On / Off Switch is set to the "On" position, providing you with a clear visual indication that the appliance is powered on.
- The **Pressing Indicator Light (Green) (10)** illuminates while the appliance is heating to the selected temperature. When deactivated, this indicates that you are ready to press.
- The **Steam Burst Ready Indicator Light (Yellow) (11)** illuminates once the appliance is ready to produce bursts of steam, providing you with a clear visual indication that you can begin using the Steam Burst Buttons.
- The **Temperature Control Buttons (12)** are pushed to select a desired temperature. Press the right arrow button to cycle right through the list of fabric choices above the buttons, and press the left arrow button to cycle left through the list of fabric choices above the buttons.
- The **Cord Storage Compartment (13)** provides a convenient and easily accessible place to store the power cord.
- The **Measuring Cup (14)** is designed to assist you in easily filling the Water Reservoir with distilled water.
- The **Spray Bottle (15)** allows you to moisten fabrics before pressing, which helps to make the pressing process easier and more effective in certain instances.
- The **Pressing Cushion (16)** is a fabric-covered pad used for pressing gathered or contoured areas such as sleeves, darts or yokes.

USING THE STEAM PRESS

FILLING WATER RESERVOIR

1. Place the appliance on a flat, level surface.
2. Turn Locking Knob to “Unlock” position to unlock Pressing Plate.
3. Lift up Pressing Plate using Handle. It will automatically stay in lifted position.
4. Pull Water Reservoir out. Note that Water Reservoir cannot be completely removed from unit; do not attempt to force it free.
5. Remove Water Reservoir Cap to expose Water Reservoir fill hole.
6. Using Measuring Cup to fill Water Reservoir up to the MAX (300ml) line with distilled water.
7. Replace Water Reservoir Cap and push filled Water Reservoir back into main unit.

OPERATING STEAM PRESS

1. With Pressing plate in lifted position, plug power cord into electrical outlet, and set On / Off Switch to “On” position (FIGURE 1).
2. Identify type of fabric you are going to press, and select corresponding temperature setting using Temperature Control Buttons. Note that it is best to start with the most delicate fabrics first, as higher levels of heat will cause damage to Nylon and Silk. Pressing Indicator Light will illuminate.
3. A few minutes of heating time will be required to reach selected temperature. Once Pressing Plate is heated, Pressing Indicator Light will deactivate. You are now ready to begin pressing.

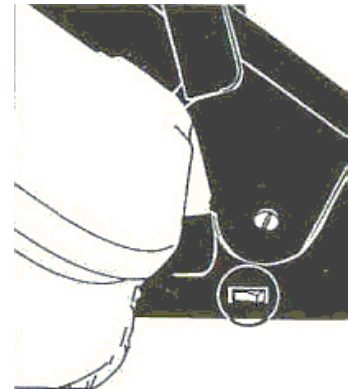


FIGURE 1

4. Lay fabric flat on Ironing Board.
5. If pressing wool, you may choose to spray with a burst of steam. This function is available once Steam Burst Ready Indicator Light illuminates.

Note: Do not activate burst of steam with steam press completely closed, as this may damage it. Best results are obtained if Pressing Plate is held open approximately 75mm above Ironing Board before pressing Steam Burst Button. For safety reasons, do not hold Pressing Plate open more than 75mm when using steam burst function.

6. To press, lower Pressing Plate gently onto fabric and Ironing Board. Hold there for 8 - 10 seconds, then lift up Pressing Plate. Repeat until you have achieved desired crease and smoothness.
7. Once pressing tasks are complete, immediately set On / Off Switch to “Off” position.

STEAM BURST

1. Hold Pressing Plate approximately 75mm above Ironing Board.
2. Press Steam Burst Button to release a burst of steam onto fabric.
3. Lower Pressing Plate onto fabric, then raise once again.
4. Repeat steps 1 - 3 above until fabric is smooth and wrinkle-free.

PRESSING AND STEAMING TIPS

Pressing Shirts and Blouses

1. Place shoulder yoke on Ironing Board first and press.
2. Next, place sleeves onto Ironing Board with fold parallel to long seam and press.
3. Place cuffs onto end of Ironing Board and press.
4. Place bottom of shirt behind Ironing Board. Begin by pressing the side with pocket. Pull shirt towards you as you press each section.
5. Finish by pressing collar of shirt.

Pressing Pants

1. Place Pressing Cushion under waistband and press, repositioning waistband until completely pressed.
2. To press inseam, place Pressing Cushion under area to be pressed.
3. Place pleated area on Ironing Board. Carefully fold pleats and press.
4. Embroidery should be placed face down on Ironing Board to reduce wear and prevent damage to delicate areas.

Other Techniques

- Placing Pressing Cushion between fabric and Pressing Plate may help with delicate fabrics.
- Buttons and zippers. If you have older types of buttons or zippers, you may need to take special care to avoid melting. In order to do so, place garment face-down and cover with Pressing Cushion before pressing.
- Spray Bottle may be used to spray fabrics lightly. This will further help to remove exceptionally stubborn wrinkles.
- Place a damp cloth over fabric before pressing, which will help with stubborn wrinkles or heavy gauge fabrics.
- To press large pieces of fabric, place entire piece behind Ironing Board. Pull fabric towards you, over Ironing Board, and lower Pressing Plate. Press fabric in sections until completed.

CARE AND STORAGE GUIDELINES

AUTO SHUT-OFF

The Auto Shut-Off feature of the Steam Press includes both an Auto Shut-Off and an Auto Wake-Up. These multiple function safety features deactivate electrical power to the heater when Pressing Plate has been left in closed position against the Ironing Board for more than 10 seconds. Heater deactivation is signaled by a beeping sound. Heater functionality is restored when the Pressing Plate is lifted back up.

Power to the heater will also be cut if the Pressing Plate is left in the lifted position without use for approximately 15 minutes (signaled by a beeping sound for approximately 22 second). After the beeping sound has stopped, the heating ability of the unit can only be restored by pressing the Temperature Control Buttons.

IMPORTANT: Auto Shut-Off does not mean that power to the unit is totally cut off. Power is always on, and the Power Indicator Light will remain illuminated until On / Off Switch is set to “Off” position.

CLEANING THE STEAM PRESS

1. Fill water Reservoir with water using procedure on Page 5 of this manual.
2. Place Pressing Cushion in the middle of Ironing Board.
3. Place a clean towel over Pressing Cushion and Ironing Board.
4. Set Temperature Control Buttons to the highest setting (LINEN).
5. When Steam Burst Ready Indicator Light illuminates, lower Pressing Plate onto Pressing Cushion.
6. Press Steam Burst Button six times.
7. Allow Pressing Plate to cool.
8. Clean Pressing Plate with damp cloth. Do not use abrasive materials, as this may damage Pressing Plate.
9. Ironing Board fabric cover is removable for cleaning. Hand wash only with mild detergent.

PROPER STORAGE

1. Once pressing is completed, immediately turn the appliance off and unplug power cord from electrical outlet.
2. Allow appliance to cool completely (at least 30 minutes).
3. Lower Pressing Plate down, and turn Locking Knob to “Lock” position.
4. Wrap up power cord and place in Cord Storage Compartment.
5. Store all accessories safely away, preferably near Steam Press.
6. Store Steam Press in a cool, dry place.

TROUBLE SHOOTING & CUSTOMER SUPPORT

PROBLEM	POSSIBLE CAUSE	SOLUTION
Appliance fails to heat up and steam. Power Indicator Light does not illuminate.	Appliance is not plugged in.	Plug into electrical outlet.
	Household Circuit Breaker / Ground Fault Interrupter has tripped or blown a fuse.	Reset Circuit Breaker / Ground Fault Interrupter, or replace fuse. If you need assistance, contact a professional electrician.
Appliance fails to heat up and steam. Power Indicator Light does illuminate.	Auto Shut-Off has engaged.	Refer to Auto shut-Off section on Page 7 of this manual for proper procedure.
	Water Reservoir is empty.	Refill Water Reservoir using procedures on Page 5 of this manual.
	Appliance is damaged or malfunctioning.	Immediately cease usage and contact selling agent.
Steam Burst output is weak or intermittent.	Pressing Plate needs to be cleaned.	Refer to Cleaning The Steam Press section on Page 7 of this manual for proper procedure.

PARTS LIST

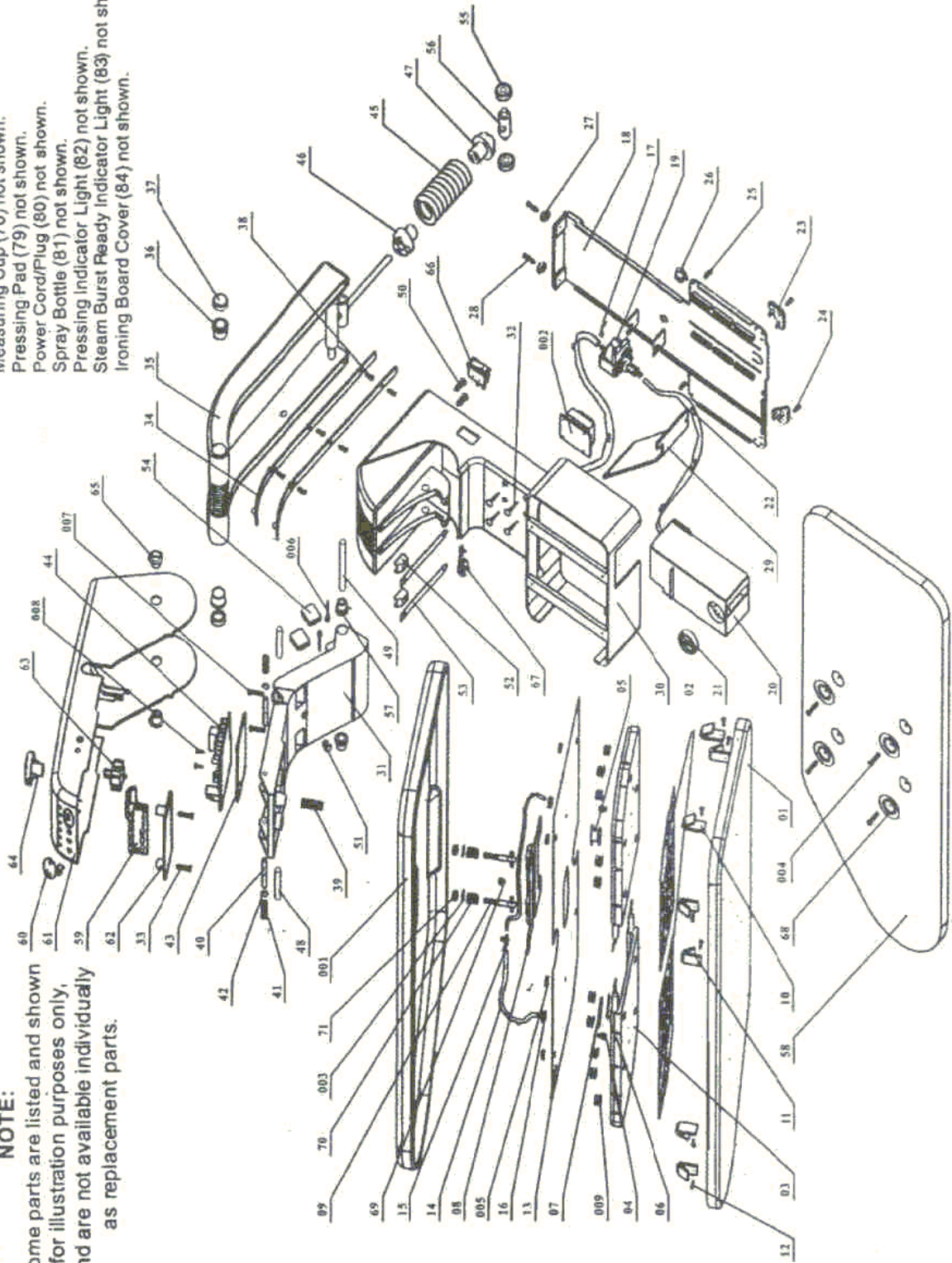
Part #	Description	Qty
1	Pressure Iron Board	1
2	Aluminum Guttered Sheet	2
3	Heat plate	2
4	Copper Nozzle For Heat Plate	2
5	Temperature Control Switch	1
6	Probe Fix Sheet	1
7	High Temperature Plain Washer For temperature Control	1
8	Iron Board Connecting Sheet	1
9	Connecting Sheet Set Bolt	2
10	Iron Board Set Hooks (Long)	3
11	Iron Board Set Hooks (short)	4
12	M3X12 Stainless Steel Screw Round Head	3
13	Heat Shield	1
14	Inlet Silicon-Rubber Hose (Thin)	2
15	Inlet Tree	1
16	Silicon Tube Sleeve	2
17	Twist Tie	1
18	Plastic Base Plate	1
19	Water Pump	1
20	Plastic Water Tank	1
21	Water Tank Cover	1
22	Inlet Silicon-Rubber Hose (Thick)	1
23	Bottom Feet	2
24	M4X12 Stainless Steel Screw Counter Sunk Head	2
25	M4X12 Stainless Steel Screw Round Head	2
26	Base Plate Plastic Screw	1
27	Back Leg	4
28	M4X30 Stainless Steel Screw Counter Sunk Head	2
29	Plastic Isolate Plate	1
39	Aluminum Alloy Lower Shell	1
31	Aluminum Alloy Upper Shell	1
32	Transformer Isolate Bracket	4
33	M3X12 Self Tapping Screw	2
34	Cord Box Plastic Sheet	2
35	Plastic Handle	1
36	Steam Burst Bottom	2
37	Steam Burst Bottom Silicon Sleeve	2
38	M3X5 Stainless Steel Tapping Counter Sunk Head	8
39	Hex Socket Cap Set Screw	1
40	Latch Axle	2

Part #	Description	Qty
41	Latch Axle Spring	2
42	Latch Axle Snap Spring	2
43	Circuit Board Isolate Washer	1
44	Circuit Board	1
45	Handle Spring	1
46	Handle Spring Gasket (1)	1
47	Handle Spring Gasket (2)	1
48	Handle Connecting Axle	2
49	Machine Connecting Axle	1
50	M5X20 Counter Sunk Head	2
51	Double-Round Head Silicon Washer	1
52	Slide Localization Plastic Block	2
53	Stainless Steel Track	2
54	Rubber Anticorrosion	2
55	Z608 Axletree	2
56	Axletree Connecting Axle	1
57	Machine Connecting Axletree	2
58	Pressing Board	1
59	Indicator Light	1
60	Membrane Switch	1
61	Plastic Shield	1
62	Shield Cover Plate	1
63	Plastic Locking Knob	1
64	Locking Knob Switch	1
65	Shield Cover Plastic Bolt	2
66	Power Switch	1
67	Strain Relief Bushing	1
68	Securing Screw Antiskid Mat	4
69	Pressing Board Connecting Copper Washer	1
70	Connecting Sheet Set Screw Spring	2
71	Lock Nut	2
/001	Iron Board Shield Cover	1
/002	Transformer	1
/003	6 Flat Washer	1
/004	M5X20 Counter Sunk Head	4
/005	M6 Nut	4
/006	Split Pins	2
/007	Lateral Pin Lock Screw	2
/008	PCB Lock Screw	2
/009	Heat Plate Lock Screw	10

ASSEMBLY DIAGRAM

Measuring Cup (78) not shown.
 Pressing Pad (79) not shown.
 Power Cord/Plug (80) not shown.
 Spray Bottle (81) not shown.
 Pressing Indicator Light (82) not shown.
 Steam Burst Ready Indicator Light (83) not shown.
 Ironing Board Cover (84) not shown.

NOTE:
 Some parts are listed and shown
 for illustration purposes only,
 and are not available individually
 as replacement parts.



KONWA®

KONWA INDUSTRIAL SEWING MACHINE (M) SDN BHD (124740-M)

Head Office: Lot 11 & 13, Jalan 51/201, Off Jalan Tandang, Seksyen 51, 46050 Petaling Jaya,
Selangor Darul Ehsan, Malaysia.

Tel: +603-7788 1111

Fax: +603-7788 5555

E-mail: konwa@konwa.com.my URL: www.konwa.com.my